

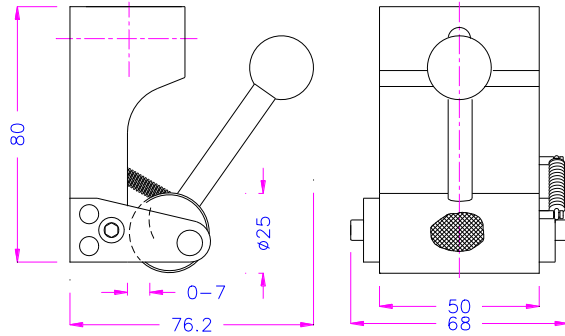
TH7 Eccentric roller grip

easy to use and self-tightening
 Applicable for soft and flexible samples, foils, plastics, rubber etc.

Scope of delivery: 1 pair

TH7-1

- Pyramid (serrated) faced roller, 25mm Ø
- Tensile force: 1 kN
- Clamping width 50mm, specimen thickness 0 – 7 mm
- Temperature range: 0 – 130°C
 Other temperature ranges possible on request
- 509 gram aluminium anodized

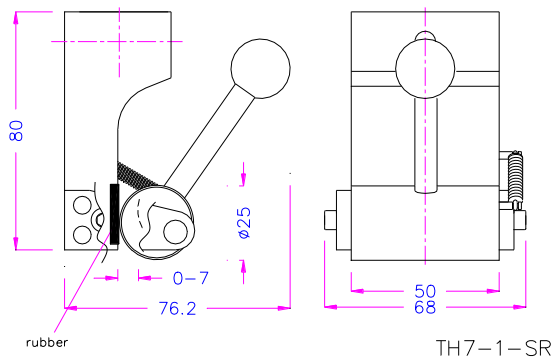


TH7-1



TH7-1-SR

- Smooth roller, 25mm Ø, rubber base plate
- Tensile force: 1 kN
- Clamping width 50mm, specimen thickness 0 – 7mm
- Temperature range: 0 – 70°C
 Other temperature ranges possible on request
- 509 gram aluminium anodized

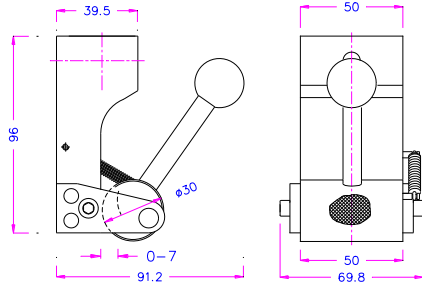


TH7-1-SR



TH7-5

- Tensile force: 5 kN
- Pyramid (serrated) faced roller, 30mm Ø
- Clamping width 50mm, specimen thickness 0 – 7mm
- Temperature range: 0 – 130°C
Other temperature ranges possible on request
- Body: aluminium anodized
- Weight: 667 gram each grip

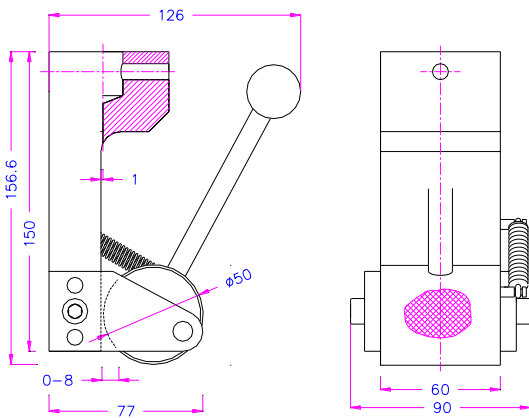


TH7-5



TH7-10

- tensile force 10kN
- Pyramid (serrated) faced roller, 50mm Ø
- Clamping width 60mm, specimen thickness 0 – 8mm
- Temperature range: 0 – 130°C
Other temperature ranges possible
- Weight: 3,35kg each grip
- Body: steel, manganese phosphate coating



TH7-10



Nr	Load [kN]	Adapter	Max sample size [mm]	Weight [Gram]
TH7-1	1	15.9 (5/8")	50x7	509
TH7-5	5	15.9 (5/8")	50x7	667
TH7-10	10	15.9 (5/8")	60x8	3350

Special versions

		
<p>TH7-W25-H7-T280°C stainless steel version</p>	<p>TH-5-Ni • Nickel plated</p>	<p>TH7-5-100 • Roller width 100 mm</p>
		
<p>TH7-5-H80 • Body height 80mm</p>	<p>TH7-5-SBP • Pyramid faced base plate</p>	<p>TH7-10-mA • with cantering device</p>
		
<p>TH7-1-80 1kN 80mm width</p>		<p>THS766-5 • Symmetric tightening www.grip.de/G04/THS766</p>

<p>Videos</p>	
<p>http://youtu.be/aNbl2ThLzE8</p>	<p>TH7-5</p>
<p>http://youtu.be/OW-t86_vPP0</p>	<p>TH7-10</p>