

WEDGE GRIPS 20 kN and 50 kN

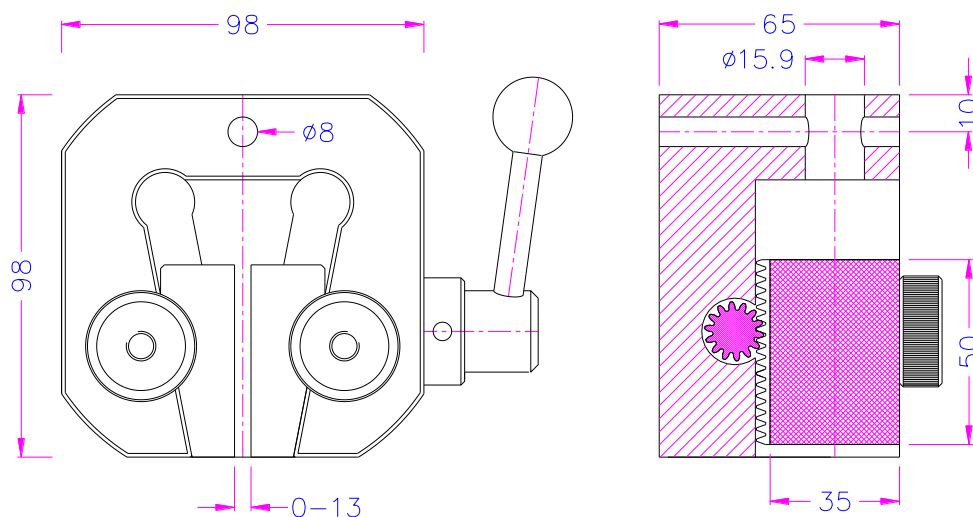
- Multi purpose, self-tightening grips
- Suitable for metal or plastic specimens of medium strength and similar
- Easy to use: the grips have a lever arm for quick specimen insertion and removal
- The wedge-shaped jaws cause the clamping force to increase, as tension is applied during the test.



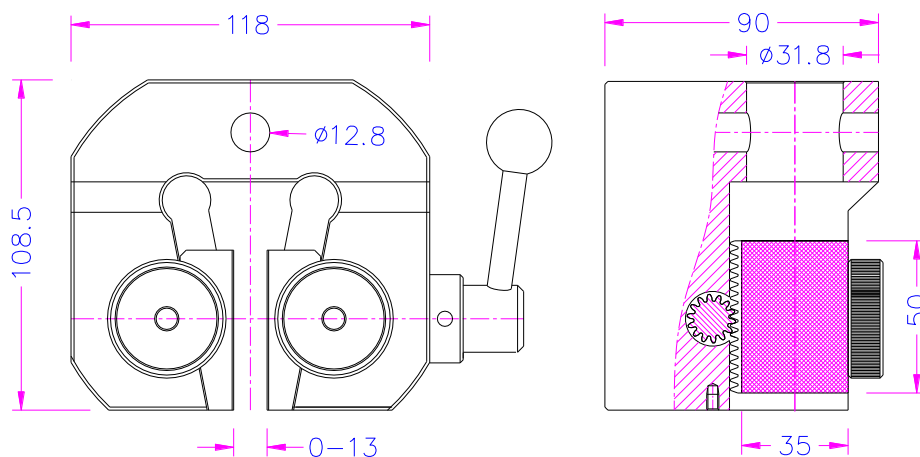
Item no.:	TH243-20	TH243-50
Tensile force:	20 kN	50 kN
Standard coupling:*	Af159, Af20	Af318
Temperature range:	0°C ... +130°C (TH243-20) -40°C ... +280°C (TH243-20+TK Option)	0°C ... +130°C (TH243-50) -40°C ... +280°C (TH243-50+TK Option)
Body:	Steel, nickel-plated	Steel, nickel-plated
Weight:	3.8 kg per grip without jaws	6.75 kg per grip without jaws
Scope of supply:	1 pair of grips without jaws	1 pair of grips without jaws

*Further couplings on request

TH243-20



TH243-50

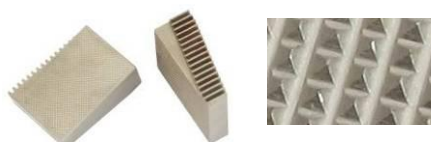


Wedge jaws for TH243 grips

Scope of delivery 1 set = 4 jaws

Item no.	Surface	Clamping surface HxW	Opening (TH243-20, TH243-50)	Weight per pair
TH243-BP13	Pyramid (serrated) jaws	50 x 35 mm	0 – 13 mm	0.48 kg
TH243-BP16	Pyramid (serrated) jaws	50 x 35 mm	4 – 16 mm	0.41 kg
TH243-BV13	V-jaws	Clamping height 50 mm	3 – 13 mm Ø	0.46 kg
TH243-BV16	V-jaws	Clamping height 50 mm	4 – 16 mm Ø	0.41 kg
TH243-BV20	V-jaws	Clamping height 50 mm	10 – 20 mm Ø	0.35 kg

Jaws with other dimensions and surface coatings on request



TH243-BP Pyramid jaws
 • Hardened steel 58 HRC
 • Pyramids 1.2 x 45°



TH243-BV -V-jaws
 • For all kinds of round samples
 • Hardened steel 58 HRC
 • Tooth pitch 1.2 mm



Usage in a temperature chamber



TH243-20+TK-Option including counterweight



TH243-20+TK-Option with pull rods