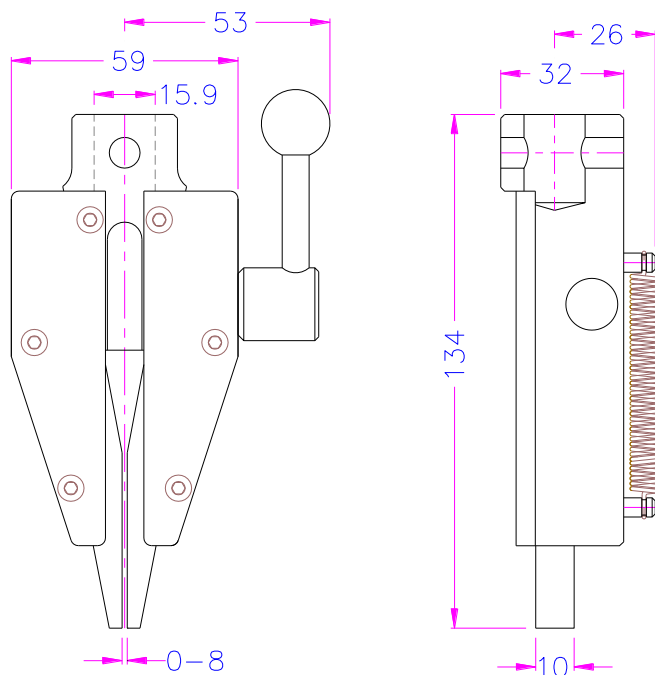


WEDGE GRIP

Universally applicable, easy to use.
Applicable for testing of small metal, plastic, etc. samples.
When the force is applied, the jaws tighten themselves.

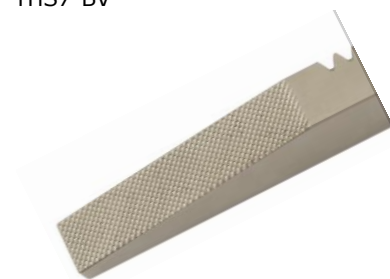
Item no.:	THS7
Tensile force:	5 kN
Coupling:	Af159. Further couplings on request
Body:	Steel, nickel-coated
Temperature range:	0 ... +70°C Further temperature ranges on request
Weight:	1 kg per grip without jaws
Scope of delivery:	1 pair of grips without jaws. Jaws have to be ordered separately. Grips can also be ordered as 0.5 pair (1 grip).



THS7-Af159+BP



THS7-BV



THS7-BP


Jaws for THS7: Scope of delivery 1 set = 4 jaws

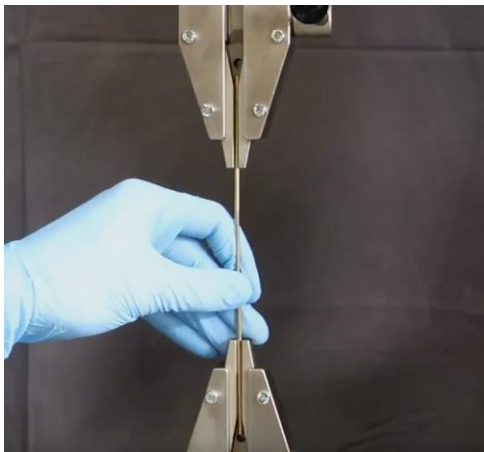
Item No.	Surface	Clamping surface H x W	Opening	Weight per pair
THS7-BP	Pyramid jaws (serrated)	40x10 mm	0 – 8 mm	0.15 kg
THS7-BV	V-jaws	Clamping height 40 mm	2 – 8 mm Ø	0.15 kg

Further jaw surfaces on request.

Videos:

How to insert a sample + tensile test

Watch video 



Similar grips:



THS341
[Datasheet](#)



THS501 (pneumatic)
[Datasheet](#)



THS205k
[Datasheet](#)



THS470
[Datasheet](#)