

TH256 wedge grip 10 kN

Wedge grips for universal usage

TH256 grips are supplied in pairs, but can also be ordered as a single grip (0.5 pair).

Grips and jaws need to be ordered separately.

Jaws with other dimensions and surfaces on request.



TH256

Item No.	TH256
Tensile force	10 kN
Body	Steel
Temperature range	0°C up to +130°C (TH256) -70°C up to +280°C (TH256-T-70+280°C)
Weight (each grip)	1.36kg (without jaws)
Scope of delivery	1 pair of grips (without jaws)

Jaws for TH256: Scope of delivery 1 Set = 4 jaws

Item No.	Surface	Clamping surface H x B	Opening	Weight per pair
TH256-BP	Pyramid (serrated) jaws	30 x 30 mm	0 – 8 mm	0.43kg
TH256-BV	V-jaws	Clamping height 30mm	3 – 8 mm Ø*	0.42kg

* For smaller Ø round samples we would recommend BP jaws



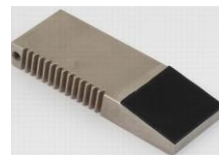
TH256-T-70+280°C



TH256-BP
Pyramid jaws



TH256-BV
For round sample min 3mm
Thickness



TH256-BG
Rubber jaws



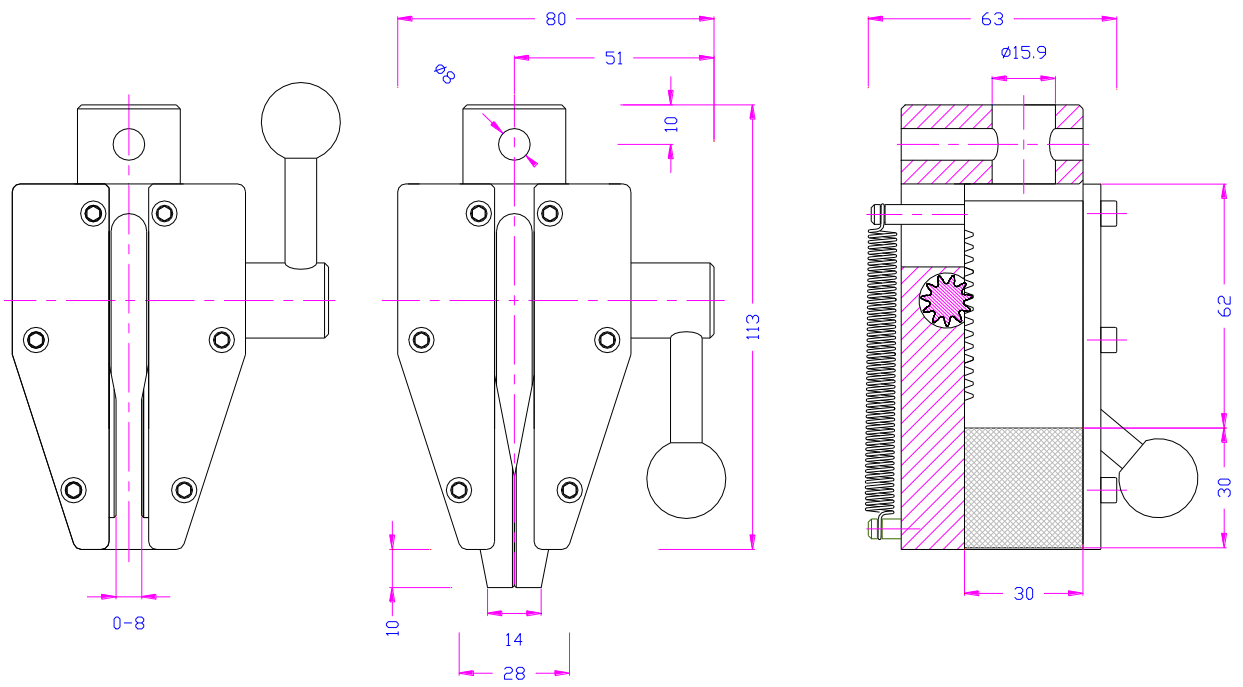
TH256-BD
Diamond jaws



BP: Multipurpose application range
Pyramids (serrated) 1x45°, hardened steel 58HRC



BV: For all kinds of round samples
Tooth pitch 1.2 mm, hardened steel 58HRC



See also <http://www.grip.de/G08/TH256/>

Ma19.3.2018

Letzte Änderung 21.03.2018
Änderungen und Irrtümer vorbehalten