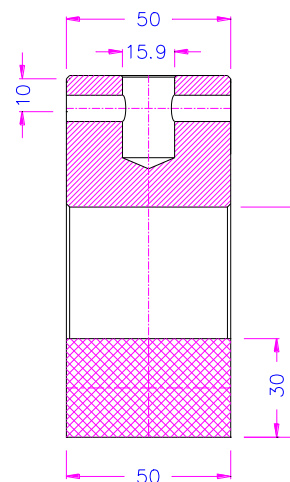
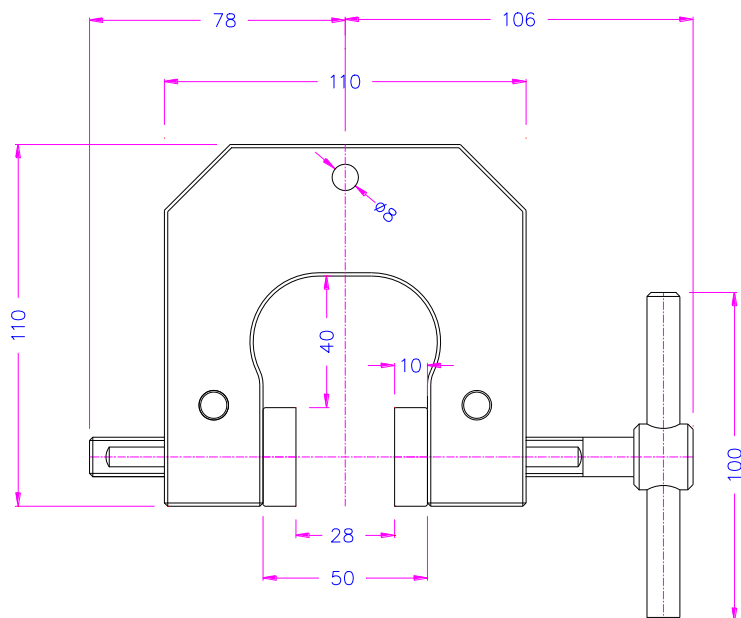


SCREW ACTION GRIPS

- Provide a simple and effective method to hold specimens
- Dual acting design, also for asymmetrical samples
- Jaws articulate and provide self-alignment and cause a self-tightening effect
- Also as pneumatic version available (see data sheet [TH240g+Ko](#))

Item no.:	TH240g
Tensile force:	5 kN
Jaw opening:	0 – 28 mm depending on jaw type (see p. 4)
Standard coupling:	Af15.9 mm or Af20 mm Further couplings on request
Body:	Anodized aluminium
Jaws:	Steel, nickel-plated
Standard temperature range:	-70°C ... +180°C
Weight per grip without jaws:	1.3 kg
Scope of supply:	1 pair of grips without jaws

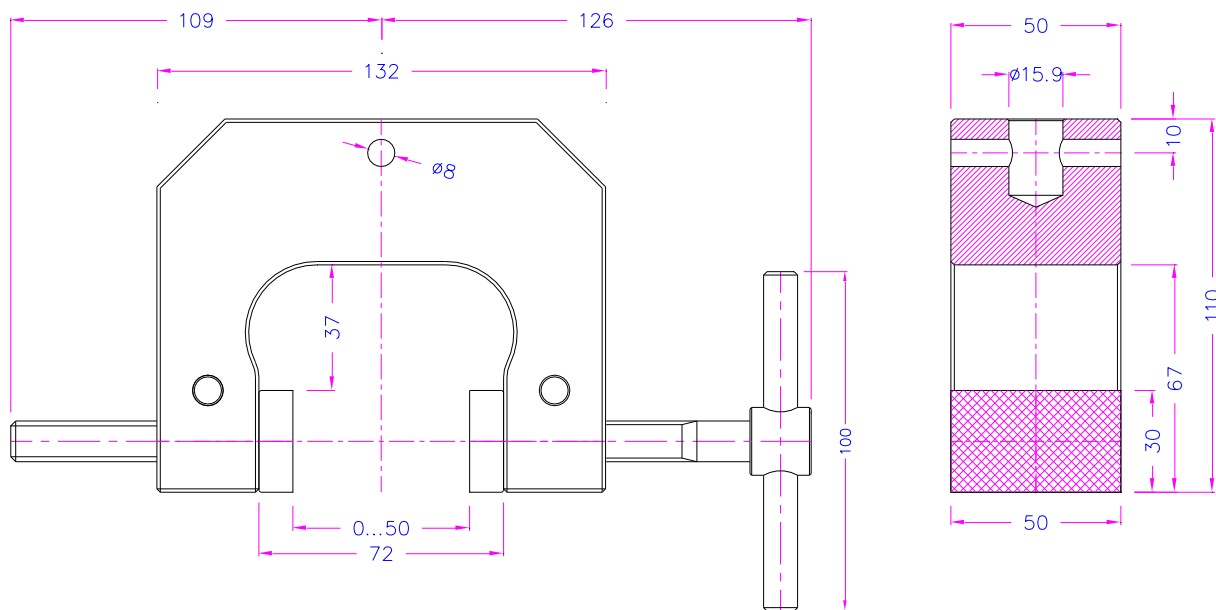


TH240g+BP



TH240g+BV2

Item no.:	TH240g-S50
Tensile force:	5 kN
Jaw opening:	0 - 50 mm depending on jaw type (see p. 4)
Standard coupling:	Af15.9 mm or Af20 mm Further couplings on request
Body:	Anodized aluminium
Jaws:	Steel, nickel-plated
Standard temperature range:	-70°C ... +180°C
Weight per grip without jaws:	1.4 kg
Scope of supply:	1 pair of grips without jaws



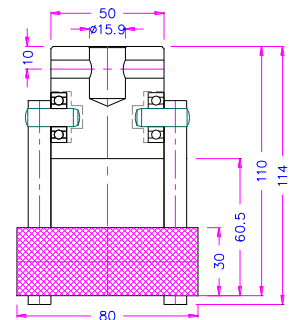
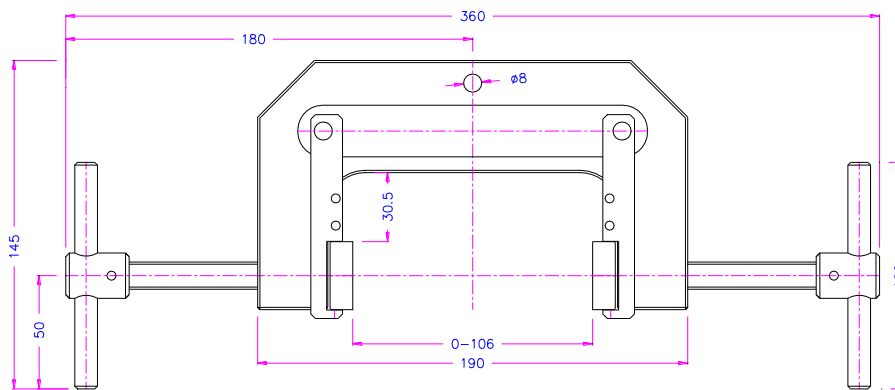
TH240g-S50



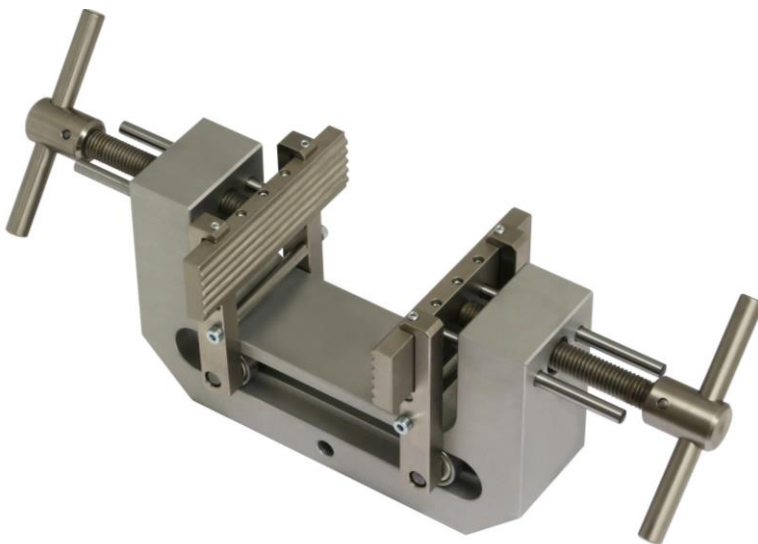
TH240g-S50+BG80

Item no.: TH240g-S100

Tensile force:	5 kN
Jaw opening:	0 - 106 mm depending on jaw type (see p. 4)
Standard coupling:	Af15.9 mm or Af20 mm Further couplings on request
Body:	Anodized aluminium
Jaws:	Steel, nickel-plated
Standard temperature range:	-70°C ...+180°C
Weight per grip without jaws:	2.3 kg
Scope of supply:	1 pair of grips without jaws



TH240g-S100

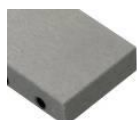


TH240g-S100+BW100

Jaws for TH240g

Scope of delivery 1 set = 4 jaws

Item no.	Surface	Clamping surface H x W	Opening for TH240g	Opening for TH240g-S50	Opening for TH240g-S100	Weight per pair
TH240g-B	Blank jaws	30 x 50 mm	0 – 28 mm	0 – 50 mm	-	0.22 kg
TH240g-BG	Rubber-coated jaws -30°C... +70°C	30 x 50 mm	0 – 26 mm	0 – 48 mm	-	0.23 kg
TH240g-BP	Pyramid (serrated) jaws	30 x 50 mm	0 – 28 mm	0 – 50 mm	-	0.21 kg
TH240g-BV2	V jaws	Height 30 mm	Ø 2 – 28 mm	Ø 2 – 50 mm	-	0.22 kg
TH240g-BV5	V jaws	Height 30 mm	Ø 5 – 28 mm	Ø 5 – 50 mm	-	0.25 kg
TH240g-BW	Wave jaws	30 x 50 mm	0 – 28 mm	0 – 50 mm	-	0.20 kg
TH240g-BD	Diamond-coated jaws	30 x 50 mm	0 – 28 mm	0 – 50 mm	-	0.22 kg
TH240g-B80	Blank jaws	30 x 80 mm	0 – 28 mm	0 – 50 mm	0 – 106 mm	0.36 kg
TH240g-BG80	Rubber-coated jaws -30°C... +70°C	30 x 80 mm	0 – 26 mm	0 – 48 mm	0 – 104 mm	0.37 kg
TH240g-BP80	Pyramid (serrated) jaws	30 x 80 mm	0 – 28 mm	0 – 50 mm	0 – 106 mm	0.34 kg
TH240g-BW80	Wave jaws	30 x 80 mm	0 – 28 mm	0 – 50 mm	0 – 106 mm	0.33 kg
TH240g-BD80	Diamond-coated jaws	30 x 80 mm	0 – 28 mm	0 – 50 mm	0 – 106 mm	0.36 kg
TH240g-B100	Blank jaws	30 x 100 mm	0 – 28 mm	0 – 50 mm	0 – 106 mm	0.46 kg
TH240g-BG100	Rubber-coated jaws -30°C... +70°C	30 x 100 mm	0 – 26 mm	0 – 48 mm	0 – 104 mm	0.46 kg
TH240g-BP100	Pyramid (serrated) jaws	30 x 100 mm	0 – 28 mm	0 – 50 mm	0 – 106 mm	0.43 kg
TH240g-BW100	Wave jaws	30 x 100 mm	0 – 28 mm	0 – 50 mm	0 – 106 mm	0.41 kg
TH240g-BD100	Diamond-coated jaws	30 x 100 mm	0 – 28 mm	0 – 50 mm	0 – 106 mm	0.46 kg



Blank jaws

- Applicable for own further treatments
- Steel-blanks without coating
- Nickel-plated



Pyramid jaws

- Pyramids 1.2x45°
- Hardened steel 58 HRC
- Nickel-plated



Wave jaws

- For flexible materials
- Wave 5 mm
- Hardened steel 58HRC
- Nickel-plated



Rubber jaws

- 1 mm rubber coating (NBR)
- Nickel-plated
- -30°C...+70°C



Diamond jaws

- Clamping surface coated with synthetic diamonds D91 (170/200 mesh)
- Nickel-plated



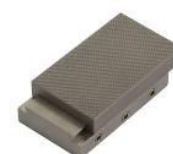
TH240g-BV2 V jaws

- For all kinds of round samples
- Tooth pitch 0.8 mm
- Hardened steel 58 HRC
- Nickel-plated



TH240g-BV5 V jaws

- For all kinds of round samples
- Tooth pitch 1 mm
- Hardened steel 58 HRC
- Nickel-plated



Insert jaws for TH240g

Scope of delivery 1 set = 4 jaws

For a quick change of jaws, insert jaws require carriers (TH240g-GT)

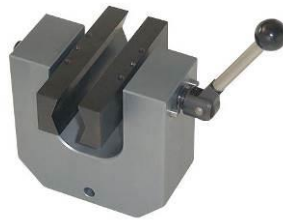
Item no.	Surface	Clamping surface H x W	Opening for TH240g	Opening for TH240g-S50	Opening for TH240g-S100	Weight per pair
TH240g-GT	Insert jaw carrier	-	-	-	-	0.19 kg
TH240g-EB	Blank insert jaws	30 x 50 mm	0 – 18 mm	0 – 40 mm	-	0.14 kg
TH240g-EBG	Rubber-coated insert jaws -30°C...+70°C	30 x 50 mm	0 – 16 mm	0 – 38 mm	-	0.14 kg
TH240g-EBP	Pyramid (serrated) insert jaws	30 x 50 mm	0 – 18 mm	0 – 40 mm	-	0.13 kg
TH240g-EBV	V insert jaws	Height 30 mm	Ø 3 – 18 mm	Ø 3 – 40 mm	-	0.13 kg
TH240g-EBW	Wave insert jaws	30 x 50 mm	0 – 18 mm	0 – 40 mm	-	0.12 kg
TH240g-EBD	Diamond-coated insert jaws	30 x 50 mm	0 – 18 mm	0 – 40 mm	-	0.14 kg
TH240g-EB100	Blank insert jaws	30 x 100 mm	0 – 14 mm	0 – 36 mm	0 – 92 mm	0.37 kg
TH240g-EBG100	Rubber-coated insert jaws -30°C... +70°C	30 x 100 mm	0 – 12 mm	0 – 34 mm	0 – 90 mm	0.38 kg
TH240g-EBP100	Pyramid (serrated) insert jaws	30 x 100 mm	0 – 14 mm	0 – 36 mm	0 – 92 mm	0.34 kg
TH240g-EBW100	Wave insert jaws	30 x 100 mm	0 – 14 mm	0 – 36 mm	0 – 92 mm	0.34 kg
TH240g-EBD100	Diamond-coated insert jaws	30 x 100 mm	0 – 14 mm	0 – 36 mm	0 – 92 mm	0.37 kg

Jaws with other dimensions and surface coatings on request

Examples of customized solutions



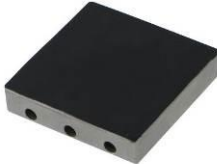
TH240g-S50+BS12
Special jaws



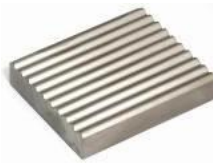
TH240g+EL+BVs30x100
Quick release lever + special jaws



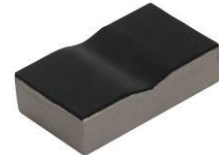
TH240g-S70
Jaw opening 0-70 mm



TH240g-BG50x50
HxW: 50x50 mm



TH240g-BW50x60
HxW: 50x60 mm



TH240g-BVG
Rubber coated V-jaws



TH240g-BW150
Extra wide wave jaws, 150 mm



TH240g+BW200
With special wave jaws 200 mm wide



TH240g-BP25x25
Special serrated jaws,
clamping surface 25x25 mm

Pneumatic versions

See data sheet [TH240g+Ko](http://www.grip.de/G12) www.grip.de/G12



TH240g+Ko



TH240g+2Ko