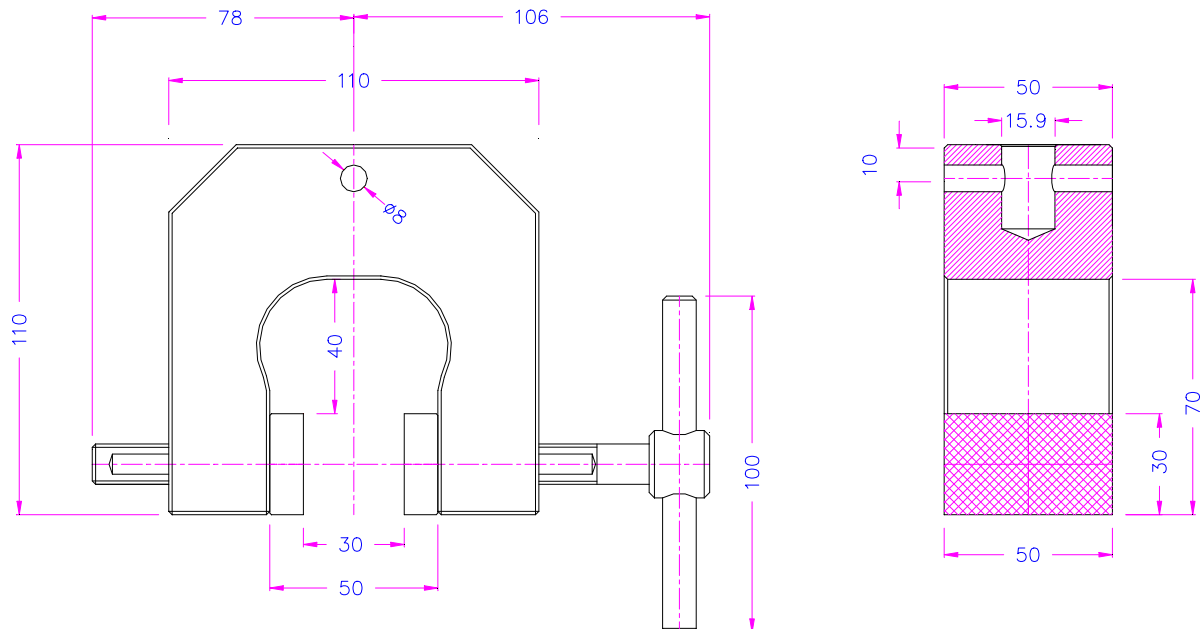


SCREW ACTION GRIPS

- Provide a simple and effective method to hold specimens
- Dual acting design, also for asymmetrical samples
- Jaws articulate and provide self-alignment and cause a self-tightening effect
- Also as pneumatic version available (see data sheet [TH240g+Ko](#))

| | |
|-------------------------------|--|
| Item no.: | TH240g |
| Tensile force: | 5 kN |
| Jaw opening: | 0 – 28 mm depending on jaw type (see p. 4) |
| Standard coupling: | Af15.9 mm or Af20 mm Further couplings on request |
| Body: | Anodized aluminium |
| Jaws: | Steel, nickel-plated |
| Standard temperature range: | 0 ... +70°C Further temperature ranges on request |
| Weight per grip without jaws: | 1.3 kg |
| Scope of supply: | 1 pair of grips without jaws |



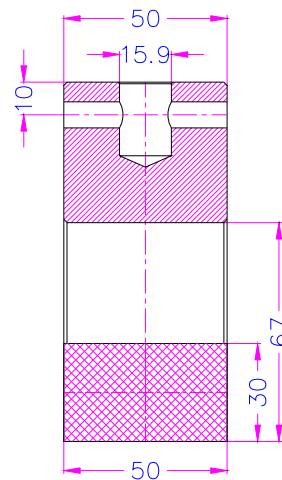
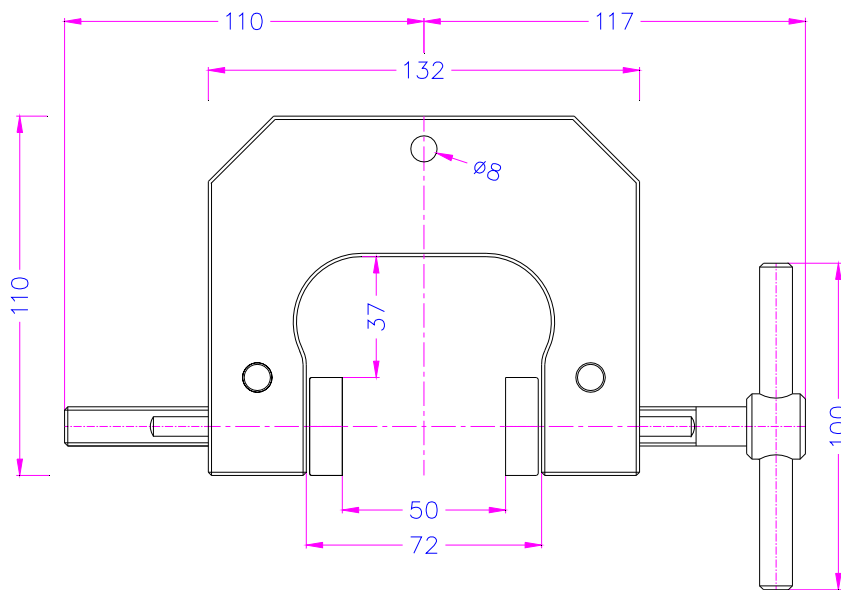
TH240g



TH240g+BV2

Item no.: TH240g-S50

| | |
|-------------------------------|--|
| Clamping force: | 5 kN |
| Jaw opening: | 0 - 50 mm depending on jaw type (see p. 4) |
| Standard coupling: | Af15.9 mm or Af20 mm Further couplings on request |
| Body: | Anodized aluminium |
| Jaws: | Steel, nickel-plated |
| Standard temperature range: | 0 ... +70°C Further temperature ranges on request |
| Weight per grip without jaws: | 1.4 kg |
| Scope of supply: | 1 pair of grips without jaws |



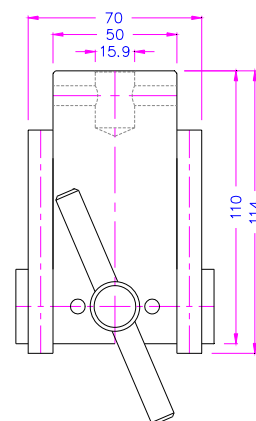
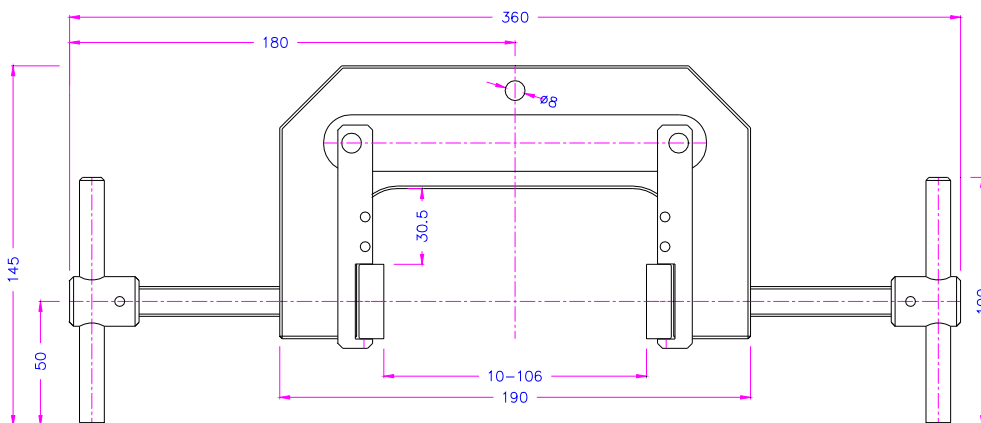
TH240g-S50



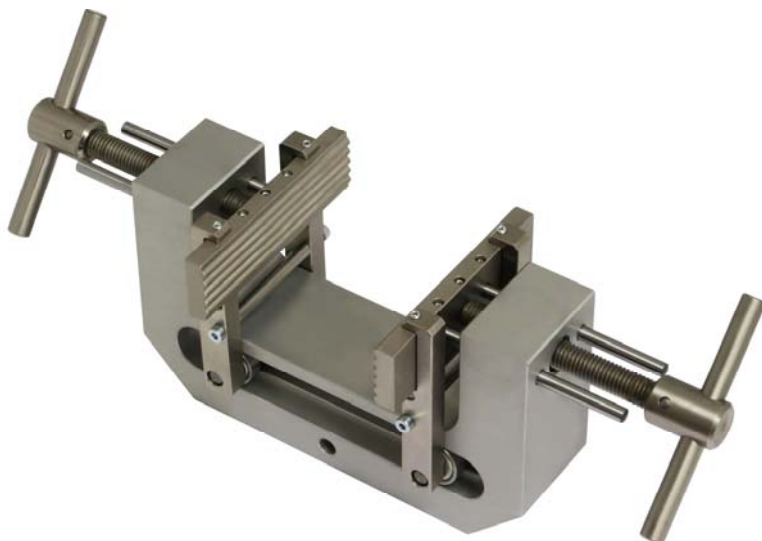
TH240g-S50+BG80

Item no.: TH240g-S100

- Clamping force: 5 kN
- Jaw opening: 0 - 106 mm
depending on jaw type (see p. 4)
- Standard coupling: Af15.9 mm or Af20 mm
Further couplings on request
- Body: Anodized aluminium
- Jaws: Steel, nickel-plated
- Standard temperature range: 0 ... +70°C
Further temperature ranges on request
- Weight per grip without jaws: 2.3 kg
- Scope of supply: 1 pair of grips without jaws



TH240g-S100

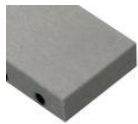


TH240g-S100+BW100

Jaws for TH240g

Scope of delivery 1 set = 4 jaws

| Item no. | Surface | Clamping surface H x W | Opening for TH240g | Opening for TH240g-S50 | Opening for TH240g-S100 | Weight per pair |
|--------------|-------------------------|---------------------------|-----------------------|---------------------------|----------------------------|--------------------|
| TH240g-B | Blank jaws | 30 x 50 mm | 0 – 28 mm | 0 – 50 mm | - | 0.22 kg |
| TH240g-BG | Rubber-coated jaws | 30 x 50 mm | 0 – 26 mm | 0 – 48 mm | - | 0.23 kg |
| TH240g-BP | Pyramid (serrated) jaws | 30 x 50 mm | 0 – 28 mm | 0 – 50 mm | - | 0.21 kg |
| TH240g-BV2 | V jaws | Height 30 mm | Ø 2 – 28 mm | Ø 2 - 50 mm | - | 0.22 kg |
| TH240g-BV5 | V jaws | Height 30 mm | Ø 5 – 28 mm | Ø 5 – 50 mm | - | 0.25 kg |
| TH240g-BW | Wave jaws | 30 x 50 mm | 0 – 28 mm | 0 – 50 mm | - | 0.20 kg |
| TH240g-BD | Diamond-coated jaws | 30 x 50 mm | 0 – 28 mm | 0 – 50 mm | - | 0.22 kg |
| TH240g-B80 | Blank jaws | 30 x 80 mm | 0 – 28 mm | 0 – 50 mm | 0 – 106 mm | 0.36 kg |
| TH240g-BG80 | Rubber-coated jaws | 30 x 80 mm | 0 – 26 mm | 0 – 48 mm | 0 – 104 mm | 0.37 kg |
| TH240g-BP80 | Pyramid (serrated) jaws | 30 x 80 mm | 0 – 28 mm | 0 – 50 mm | 0 – 106 mm | 0.34 kg |
| TH240g-BW80 | Wave jaws | 30 x 80 mm | 0 – 28 mm | 0 – 50 mm | 0 – 106 mm | 0.33 kg |
| TH240g-BD80 | Diamond-coated jaws | 30 x 80 mm | 0 – 28 mm | 0 – 50 mm | 0 – 106 mm | 0.36 kg |
| TH240g-B100 | Blank jaws | 30 x 100 mm | 0 – 28 mm | 0 – 50 mm | 0 – 106 mm | 0.46 kg |
| TH240g-BG100 | Rubber-coated jaws | 30 x 100 mm | 0 – 26 mm | 0 – 48 mm | 0 – 104 mm | 0.46 kg |
| TH240g-BP100 | Pyramid (serrated) jaws | 30 x 100 mm | 0 – 28 mm | 0 – 50 mm | 0 – 106 mm | 0.43 kg |
| TH240g-BW100 | Wave jaws | 30 x 100 mm | 0 – 28 mm | 0 – 50 mm | 0 – 106 mm | 0.41 kg |
| TH240g-BD100 | Diamond-coated jaws | 30 x 100 mm | 0 – 28 mm | 0 – 50 mm | 0 – 106 mm | 0.46 kg |



Blank jaws

- Applicable for own further treatments
- Steel-blanks without coating
- Nickel-plated



Pyramid jaws

- Pyramids 1.2x45°
- Hardened steel 58 HRC
- Nickel-plated



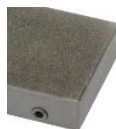
Wave jaws

- For flexible materials
- Wave 5 mm
- Hardened steel 58HRC
- Nickel-plated



Rubber jaws

- 1 mm rubber coating (NBR)
- Nickel-plated



Diamond jaws

- Clamping surface coated with synthetic diamonds D91 (170/200 mesh)
- Nickel-plated



TH240g-BV2 V jaws

- For all kinds of round samples
- Tooth pitch 0.8 mm
- Hardened steel 58 HRC
- Nickel-plated



TH240g-BV5 V jaws

- For all kinds of round samples
- Tooth pitch 1 mm
- Hardened steel 58 HRC
- Nickel-plated



Insert jaws for TH240g

Scope of delivery 1 set = 4 jaws

For a quick change of jaws, insert jaws require carriers (TH240g-GT)

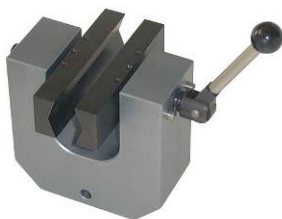
| Item no. | Surface | Clamping surface H x W | Opening for TH240g | Opening for TH240g-S50 | Opening for TH240g-S100 | Weight per pair |
|---------------|--------------------------------|---------------------------|-----------------------|---------------------------|----------------------------|--------------------|
| TH240g-GT | Insert jaw carrier | - | - | - | - | 0.19 kg |
| TH240g-EB | Blank insert jaws | 30 x 50 mm | 0 – 18 mm | 0 – 40 mm | - | 0.14 kg |
| TH240g-EBG | Rubber-coated insert jaws | 30 x 50 mm | 0 – 16 mm | 0 – 38 mm | - | 0.14 kg |
| TH240g-EBP | Pyramid (serrated) insert jaws | 30 x 50 mm | 0 – 18 mm | 0 – 40 mm | - | 0.13 kg |
| TH240g-EBV | V insert jaws | Height 30 mm | Ø 3 – 18 mm | Ø 3 – 40 mm | - | 0.13 kg |
| TH240g-EBW | Wave insert jaws | 30 x 50 mm | 0 – 18 mm | 0 – 40 mm | - | 0.12 kg |
| TH240g-EBD | Diamond-coated insert jaws | 30 x 50 mm | 0 – 18 mm | 0 – 40 mm | - | 0.14 kg |
| TH240g-EB100 | Blank insert jaws | 30 x 100 mm | 0 – 14 mm | 0 – 36 mm | 0 – 92 mm | 0.37 kg |
| TH240g-EBG100 | Rubber-coated insert jaws | 30 x 100 mm | 0 – 12 mm | 0 – 34 mm | 0 – 90 mm | 0.38 kg |
| TH240g-EBP100 | Pyramid (serrated) insert jaws | 30 x 100 mm | 0 – 14 mm | 0 – 36 mm | 0 – 92 mm | 0.34 kg |
| TH240g-EBW100 | Wave insert jaws | 30 x 100 mm | 0 – 14 mm | 0 – 36 mm | 0 – 92 mm | 0.34 kg |
| TH240g-EBD100 | Diamond-coated insert jaws | 30 x 100 mm | 0 – 14 mm | 0 – 36 mm | 0 – 92 mm | 0.37 kg |

Jaws with other dimensions and surface coatings on request

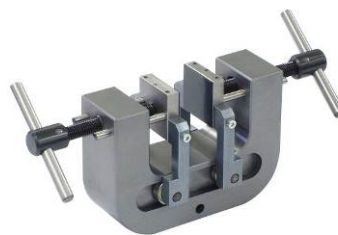
Examples of customized solutions



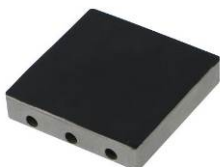
TH240g-S50+BS12
Special jaws



TH240g+EL+BV30x100
Quick release lever + special jaws



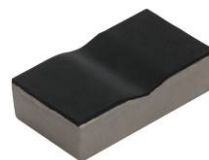
TH240g-S70
Jaw opening 0-70 mm



TH240g-BG50x50
HxW: 50x50 mm



TH240g-BW50x60
HxW: 50x60 mm



TH240g-BVG
Rubber coated V-jaws



TH240g-BW150
Extra wide wave jaws, 150 mm



TH240g+BW200
With special wave jaws 200 mm wide



TH240g-BP25x25
Special serrated jaws,
clamping surface 25x25 mm

Pneumatic versions

See data sheet [TH240g+Ko](http://www.grip.de/G12) www.grip.de/G12



TH240g+Ko



TH240g+2Ko