

## TH240g+Ko Pneumatic vise grip

Single pneumatic cylinder  
 Sample size: 0 – 18 mm (depending on jaws)  
 Weight: 1.55 kg each grip (without jaws)

## TH240g+2Ko Pneumatic vise grip

Dual pneumatic cylinder  
 Sample size: 0 – 18 mm (depending on jaws)  
 Weight: 1.93 kg each grip (without jaws)

- Clamping force: 2.6 kN / 7 bar  
 Max possible pressure 16 bar
- Pneumatic cylinder 70 mm Ø
- Temperature range: 0°C ... +70°C  
 Other temperature ranges on request
- Body: Aluminium, anodized
- Pneumatic connection: female thread 1/8"

Also as manual vise grip available  
 see: [TH240g\\_Datasheet.pdf](#)



TH240g + Ko



TH240g + 2Ko

### Ordering information

Item no.: TH240g+Ko  
 Item No.: TH240g+2Ko  
 Scope of delivery: 1 pair of grips.  
 Jaws need to be ordered separately.

**Jaws for TH240g+Ko and TH240g+2Ko:** Scope of delivery 1 set = 4 jaws

Item no.	Surface	Clamping surface H x W	Jaw opening with rod L56.5	Jaw opening with rod L51.5*	Weight per pair
TH240g-B	Blank jaws	30x50 mm	0 – 18 mm	10 – 28 mm	0.22 kg
TH240g-BG	Rubber jaws	30x50 mm	0 – 16 mm	8 – 26 mm	0.22 kg
TH240g-BP	Pyramid jaws	30x50 mm	0 – 18 mm	10 – 28 mm	0.21 kg
TH240g-BV2	V-jaws	Height 30 mm	Ø 2 – 18 mm	Ø 12 – 28 mm	0.22 kg
TH240g-BV5	V-jaws	Height 30 mm	Ø 5 – 18 mm	Ø 15 – 28 mm	0.25 kg
TH240g-BW	Wave jaws	30x50 mm	0 – 18 mm	10 – 28 mm	0.20 kg
TH240g-BD	Diamond jaws	30x50 mm	0 – 18 mm	10 – 28 mm	0.22 kg
TH240g-B80	Blank jaws	30x80 mm	0 – 18 mm	10 – 28 mm	0.36 kg
TH240g-BG80	Rubber jaws	30x80 mm	0 – 16 mm	8 – 26 mm	0.37 kg
TH240g-BP80	Pyramid jaws	30x80 mm	0 – 18 mm	10 – 28 mm	0.34 kg
TH240g-BW80	Wave jaws	30x80 mm	0 – 18 mm	10 – 28 mm	0.33 kg
TH240g-BD80	Diamond jaws	30x80 mm	0 – 18 mm	10 – 28 mm	0.37 kg
TH240g-B100	Blank jaws	30x100 mm	0 – 20 mm	10 – 28 mm	0.46 kg
TH240g-BG100	Rubber jaws	30x100 mm	0 – 18 mm	8 – 26 mm	0.47 kg
TH240g-BP100	Pyramid jaws	30x100 mm	0 – 20 mm	10 – 28 mm	0.44 kg
TH240g-BW100	Wave jaws	30x100 mm	0 – 20 mm	10 – 28 mm	0.42 kg
TH240g-BD100	Diamond jaws	30x100 mm	0 – 20 mm	10 – 28 mm	0.46 kg

\*L51.5 rod is not included in scope of supply and must be ordered separately. Item no.: TH240g-Ko-09-L51.5.

#### Blank jaws

- Applicable for own further treatments
- Steel blanks without coating

#### Rubber jaws

- 1 mm rubber coating (NBR)
- Nickel-plated

#### Pyramid jaws

- Pyramids 1.2x45°
- Hardened steel 58 HRC
- Nickel-plated

#### V-jaws

- For all kinds of round samples
- Tooth pitch 1 mm (BV5) or 0,8 mm (BV2)
- Hardened steel 58HRC
- Nickel-plated

#### Wave jaws

- For flexible materials
- Wave 5 mm
- Hardened steel 58HRC
- Nickel-plated

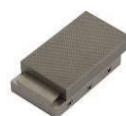
#### Diamond jaws

- Clamping surface coated with synthetic diamonds
- Nickel-plated

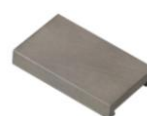


### Insert jaws for TH240g+Ko and TH240g+2Ko

Scope of delivery 1 set = 4 jaws  
 Quick-change system.  
 Insert jaws require carriers (TH240g-GT)



TH240g-GT+  
TH240g-EBP

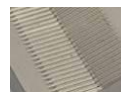


TH240g-EB

Item no.	Surface	Clamping surface H x W	Opening	Weight per pair
TH240g-GT	Carrier	-	-	0.18 kg
TH240g-EB	Blank insert jaws	30 x 50 mm	0 – 14 mm	0.14 kg
TH240g-EBG	Rubber insert jaws	30 x 50 mm	0 – 12 mm	0.14 kg
TH240g-EBP	Pyramid insert jaws	30 x 50 mm	0 – 14 mm	0.13 kg
TH240g-EBV	V insert jaws	Height 30 mm	Ø 3 – 14 mm	0.13 kg
TH240g-EBW	Wave insert jaws	30 x 50 mm	0 – 14 mm	0.12 kg
TH240g-EBD	Diamond insert jaws	30 x 50 mm	0 – 14 mm	0.14 kg
TH240g-EB100	Blank insert jaws	30 x 100 mm	0 – 10 mm	0.37 kg
TH240g-EBG100	Rubber insert jaws	30 x 100 mm	0 – 8 mm	0.38 kg
TH240g-EBP100	Pyramid insert jaws	30 x 100 mm	0 – 10 mm	0.35 kg
TH240g-EBW100	Wave insert jaws	30 x 100 mm	0 – 10 mm	0.34 kg
TH240g-EBD100	Diamond insert jaws	30 x 100 mm	0 – 10 mm	0.38 kg

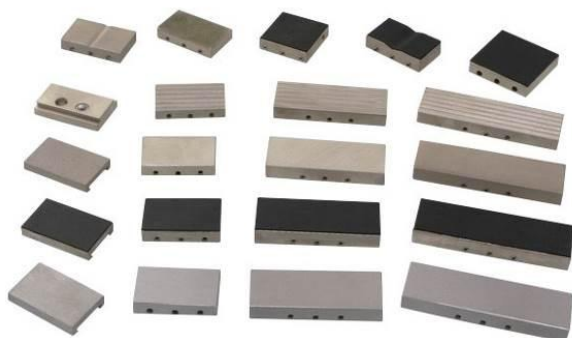


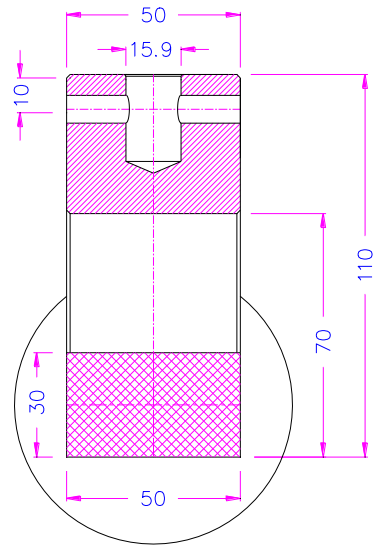
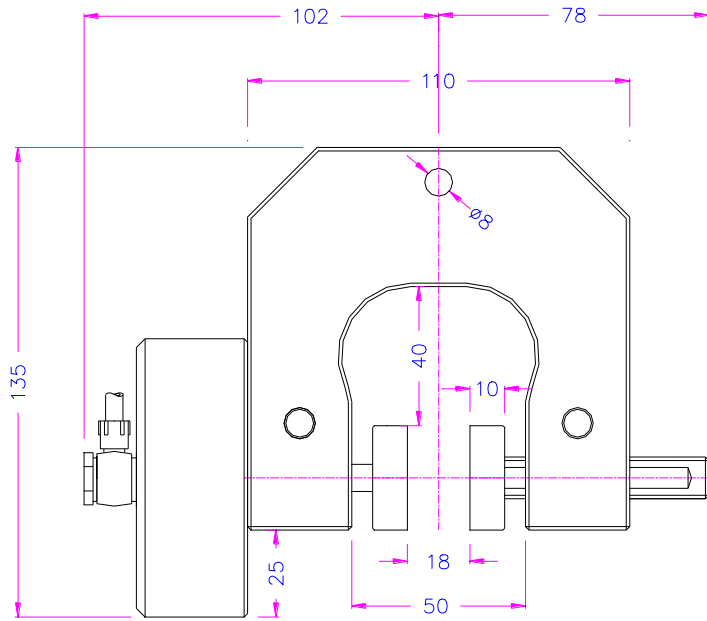
TH240g-BV2



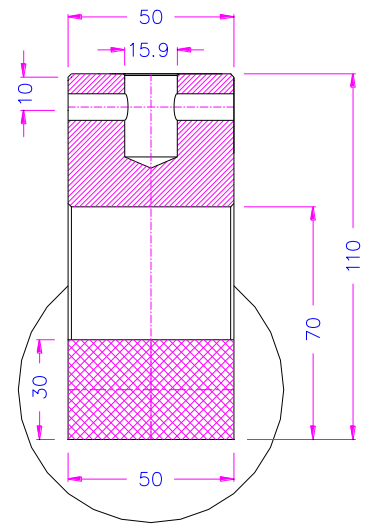
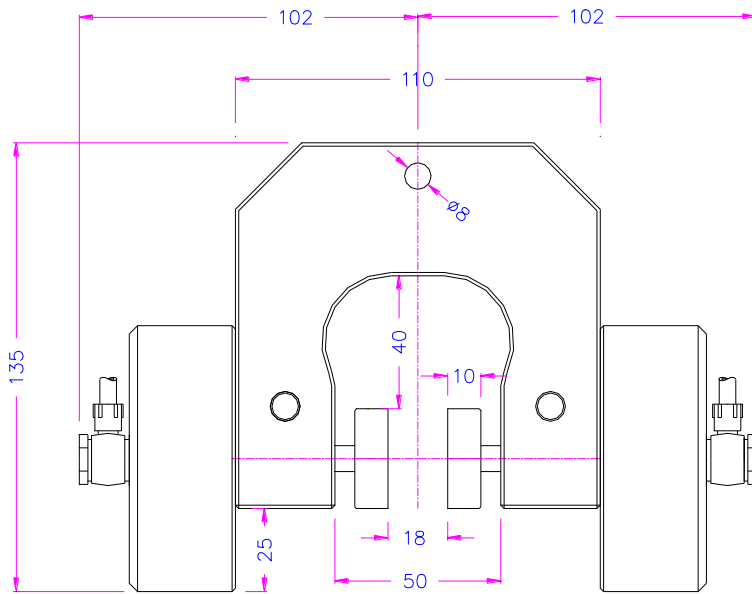
TH240g-BV5

BV5 jaws fit well for samples with larger diameters



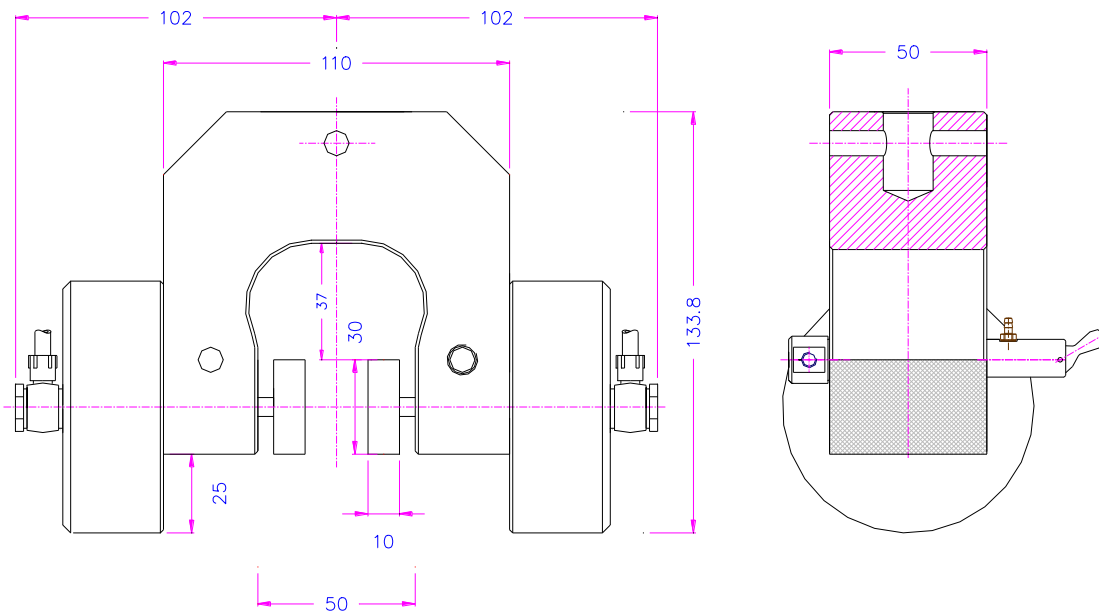


TH240g+Ko+BP



TH240g+2Ko+BP

TH240g+2Ko with a pneumatic micro hand switch TH205-4. An additional T-piece is needed.



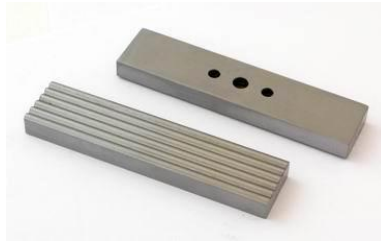
TH240g+2Ko+TH205-4



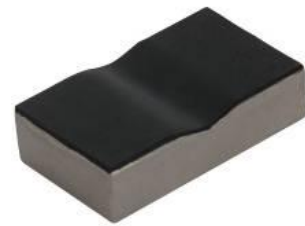
**Customized solutions:**



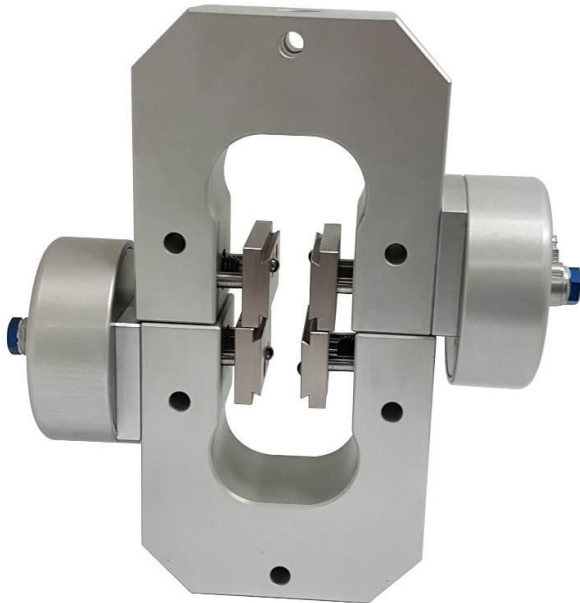
TH240g-BP25x25  
HXW 30x50 mm



TH240g-BW30x130  
HxW 30x130 mm



TH240g-BVG  
Rubber-coated V-jaws



**TH240g+Ko+UP10**

Additional plates between pneumatic rods and grip bodies allow to minimize distance between grips to 0

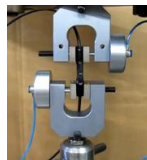
**Test videos:**



[http://www.youtube.com/watch?v=Mk\\_O7LWxih0](http://www.youtube.com/watch?v=Mk_O7LWxih0)

**TH240g+Ko+BW**

Test with yellow ribbon at 12 bar pressure



[http://www.youtube.com/watch?v=N9gA2\\_ThfHQ](http://www.youtube.com/watch?v=N9gA2_ThfHQ)

**TH240g+Ko+Bv**

Solar cell plug testing

**Pneumatic accessories:**



**TH205-1**

2 pneumatic foot switches, tubes and fittings

None locking: The jaws of the grip open by pressing the foot pedal and close after removing the foot from the pedal.

Scope of delivery: 1 pair of foot switches including tubes and fittings



**TH205-2**

2 pneumatic foot switches, tubes and fittings,

With locking function: The jaws of the grip open by pressing the foot pedal and remain opened after removing the foot from the pedal. The jaws close by pressing the pedal one more time.

Scope of delivery: 1 pair of foot switches including tubes and fittings



**TH205-PR16**

Optional for TH205-1 or TH205-2

Pressure regulator

To adjust air pressure:1-16 bar



**TH205-3**

1 unit of pneumatic hand switches, tubes and fittings

With locking function: Handle with 2 positions. The jaws of the grip close by pulling the handle and remain closed. The jaws open by pushing the handle back.

Scope of delivery: 1 unit of hand switches including tubes and fittings



**TH205-4-1/8"**

Pneumatic micro - hand switches, tubes and fittings, 1/8" connection

With locking function: The hand switches are directly installed at the grips, 3/2 directional valve. Only for single action rods with spring inside.

Scope of supply: 2 hand switches including tubes and fittings

Requires T-Piece for 2 rods



**TH216 Silent compressor for laboratories, oil-lubricated, with pressure reducer**

Max pressure 16 bar; 230 V/50 HZ; noise level: 38 dB(A)

Motor: 0.13 kW; displacement: 17 l/min; tank size 3.5 l

Dimensions: 340x290x340 mm (L x W x H); weight 18 kg

See also [TH205 Datasheet.pdf](#)