

TH154 Screw Action Grip 10 kN and 20 kN

Provides a simple and effective method to hold specimens
Dual acting design, also for asymmetrical samples
Jaws articulate and provide a self-alignment and cause a self tightening effect

Ordering information

TH154 are supplied in pairs, but can also be ordered as single grip (0.5 pair).

Grips and jaws need to be ordered separately.

Jaws with other dimensions and surface coatings on request.



TH154-10



TH154-20

Item no.:	TH154-10	TH154-20
Tensile force:	10 kN	20 kN
Clamping force:	20 kN at 40 Nm torque	40 kN at 80 Nm torque
Temperature range:	0°C ... +180°C	0°C ... +350°C -70°C ... +350°C (TH154-20-NI)
Body:	Aluminum, anodized	Steel, nickel-plated
Weight:	2.36 kg each grip (without jaws)	5 kg each grip (without jaws)
Scope of delivery:	1 pair	1 pair



TH154-20-T-70+350 – nickel-plated
Temperature range -70 ... +350°C

Jaws for TH154: scope of delivery: 1 set = 4 jaws

Item No.	Surface	Clamping surface H x W	Opening	Weight per pair
TH154-B	Blank jaws	40 x 60 mm	0 – 34 mm	0.35 kg
TH154-BG	Rubber jaws	40 x 60 mm	0 – 32 mm	0.36 kg
TH154-BP	Pyramid jaws	40 x 60 mm	0 – 34 mm	0.33 kg
TH154-BV4*	V jaws	Clamping height 40 mm	4 – 34 mm Ø	0.35 kg
TH154-BV6*	V jaws	Clamping height 40 mm	6 – 34 mm Ø	0.32 kg
TH154-BW	Wave jaws	40 x 60 mm	0 – 34 mm	0.32 kg
TH154-BD	Diamond jaws	40 x 60 mm	0 – 34 mm	0.35 kg
TH154-BWC	Jaws for bitumen	40 x 60 mm	0 – 14 mm	0.63 kg
TH154-B100	Blank jaws	40 x 100 mm	0 – 30 mm	0.72 kg
TH154-BG100	Rubber jaws	40 x 100 mm	0 – 28 mm	0.74 kg
TH154-BP100	Pyramid jaws	40 x 100 mm	0 – 30 mm	0.69 kg
TH154-BW100	Wave jaws	40 x 100 mm	0 – 30 mm	0.66 kg
TH154-BD100	Diamond jaws	40 x 100 mm	0 – 30 mm	0.72 kg
TH154-BW200	Wave jaws	60 x 200 mm	0 – 22 mm	3.00 kg

*We recommend BV6 jaws for samples with a larger diameter



Blank jaws
• Suitable for own further treatments
• Steel blanks without coating



Rubber jaws
• 1 mm rubber coating (NBR)
• Nickel-plated



Pyramid jaws
• Pyramids 1.2x45°
• Hardened steel 58HRC
• Nickel-plated



V-jaws
• For all kinds of round samples
• Tooth pitch 1.2 mm
• Hardened steel 58HRC, nickel-plated



Wave jaws
• For flexible materials
• Wave 5 mm
• Hardened steel 58HRC, nickel-plated



Diamond jaws
• Covered with synthetic diamonds
• Nickel-plated

Insert jaws for TH154

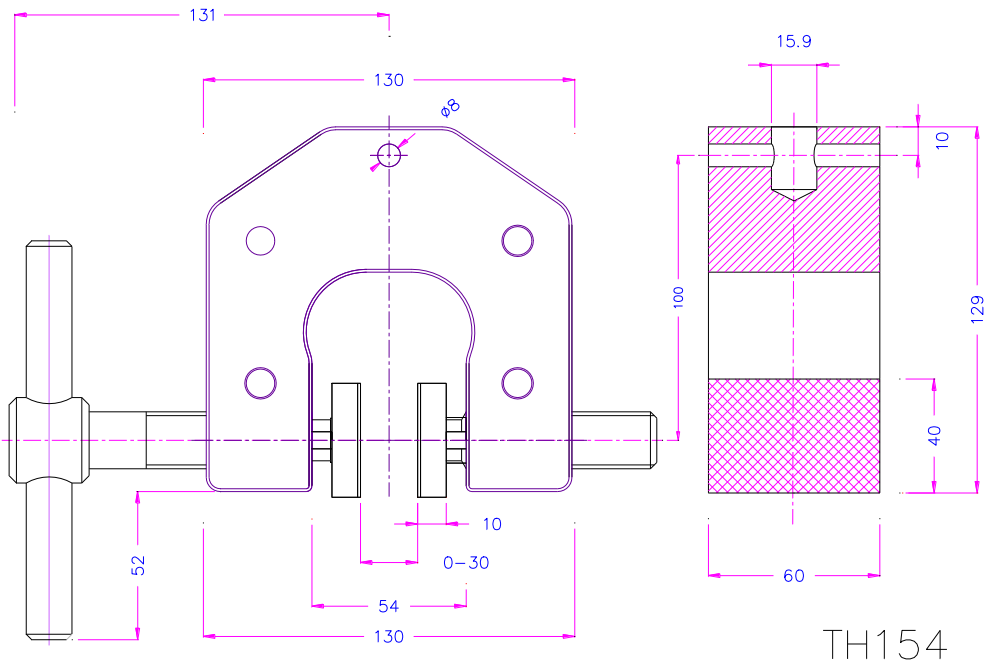
Quick change system of jaw surfaces without any additional tools.
Insert jaws require carriers (TH154-GT) Scope of delivery: 1 set = 4 jaws

Item No.	Surface	Clamping surface H x W	Opening	Weight per pair
TH154-GT	Carrier	-	-	0.33 kg
TH154-EB	Blank insert jaws	50 x 60 mm	0 – 24 mm	0.29 kg
TH154-EBG	Rubber insert jaws	50 x 60 mm	0 – 22 mm	0.30 kg
TH154-EBP	Pyramid insert jaws	50 x 60 mm	0 – 24 mm	0.28 kg
TH154-EBV4	V insert jaws	Clamping height 50 mm	4 – 24 mm Ø	0.29 kg
TH154-EBW	Wave insert jaws	50 x 60 mm	0 – 24 mm	0.26 kg
TH154-EBD	Diamond insert jaws	50 x 60 mm	0 – 24 mm	0.29 kg
TH154-GT100	Carrier	-	-	0.69 kg
TH154-EB100	Blank insert jaws	50 x 100 mm	0 – 16 mm	0.63 kg
TH154-EBG100	Rubber insert jaws	50 x 100 mm	0 – 14 mm	0.65 kg
TH154-EBP100	Pyramid insert jaws	50 x 100 mm	0 – 16 mm	0.60 kg
TH154-EBW100	Wave insert jaws	50 x 100 mm	0 – 16 mm	0.57 kg
TH154-EBD100	Diamond insert jaws	50 x 100 mm	0 – 16 mm	0.63 kg



TH154-GT with TH154-EBG

Jaws with other dimensions and surface coatings on request



TH154

Examples for special solutions:



TH154-S100: Opening 100 mm



TH154-BWC: Jaws to test bitumen (with water-cooling)



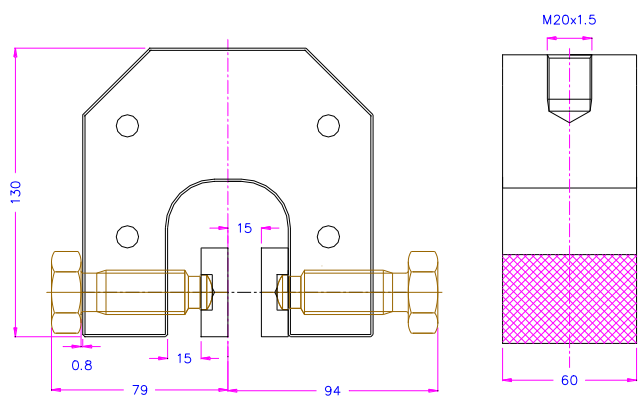
TH154-BP 50x100 mm



TH154-BG 25x60 mm



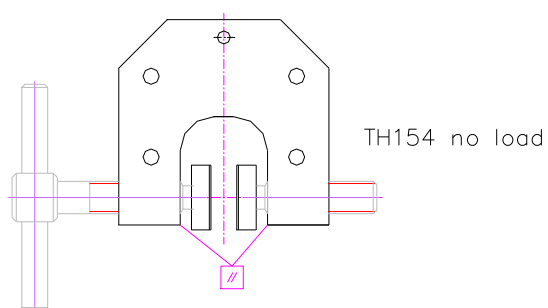
TH154-BWG



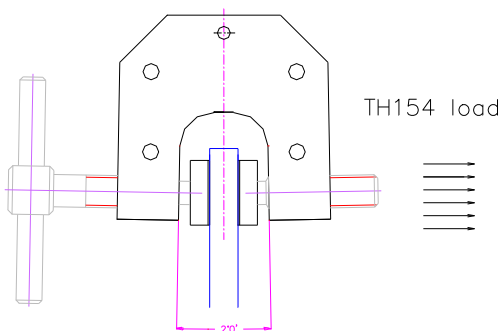
TH154-2Mu-W190-M20x15

TH154-2Mu-W190-M20x15

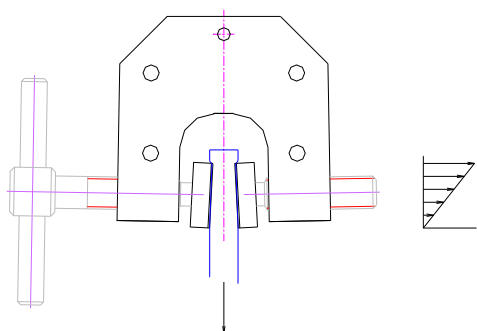
For chamber usage



TH154 no load



TH154 load



TH154 deformation and rotation of jaws under load

U-shape deformation and rotation help to avoid too high load at the lower end of jaws which might damage the sample



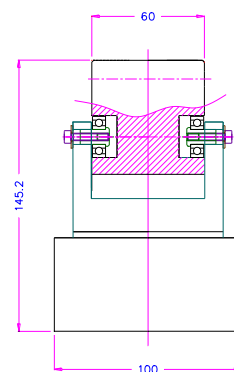
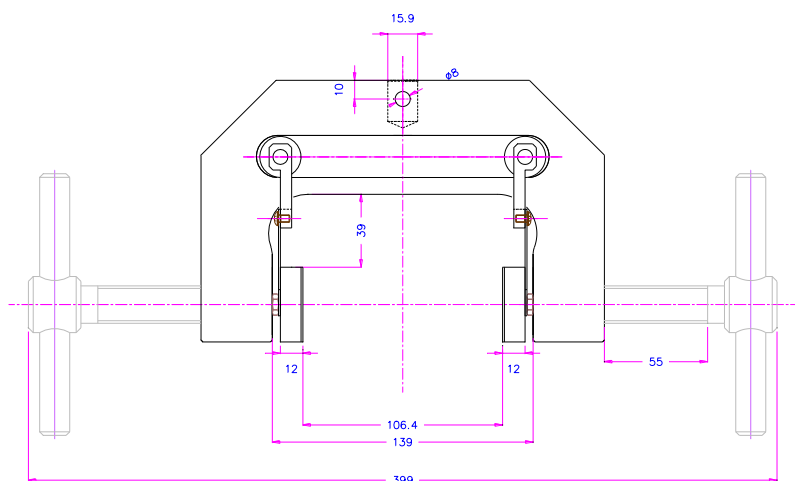
TH154-S100+BP250

Clearance 100 mm



TH154-S100+EBV

Clearance 100 mm



TH154-S100+BP100



TH154-S50-DKSK

Special version with scaling knob

Blank jaws

See also www.grip.de/G06