

# LOAD-MASTER

Load Monitoring • Force Measurement • Industrial Weighing

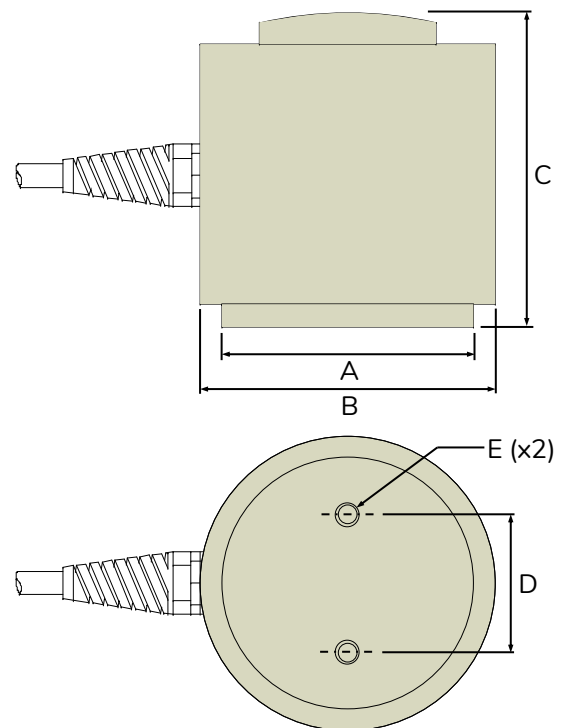
## DTH1 Compression Load Cell



- Rated capacities from 2tonne to 100tonne
- Compact size and low weight
- High accuracy stainless steel load cell body


A compact and low weight compression load cell for load measurement and weighing in all industrial processes. DTH1 offers a convenient and rugged solution to mount on hydraulic cylinders for monitoring press forces and jacking loads, proof testing structural members, or placing under machines to create simple weighing scales. With high resistance to impact & dynamic forces and a domed surface to ensure correct load transfer through the sensor body, measurement reliability is ensured in the most arduous industrial environments. Portable handset display includes 'tare' and 'peak reading' facility for weighing and force measurement uses.

Capacity	Divisions	ØA	ØB	C	D	E
2	0.001	32	40	38	22	M4
5	0.002	40	50	50	26	M4
10	0.005	50	63	62	30	M6
25	0.01	63.5	75	80	35	M6
50	0.02	88.5	100	110	45	M8
100	0.05	100	112	140	55	M10
<b>tonne</b>				<b>mm</b>		



Display Units	tonne / kilonewton
Battery life	30 hours minimum
Cable Length	3 metre
Maximum Error	0.25 % applied load
Safety Factor	3 x rated capacity
Operating Temperature	-10 to 60 °C
Environmental Sealing	IP65

**Force**  
**LOGIC** UK

Manufactured in the UK 

Specifications subject to change. Full product details available on request.

DTH1DS\_1.0

Force Logic UK Ltd N4 Lambs Farm Business Park, Swallowfield, RG7 1PQ, UK

(+44) 0118 988 8807 sales@force-logic.co.uk www.force-logic.co.uk