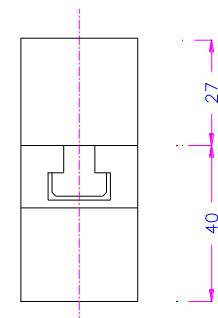
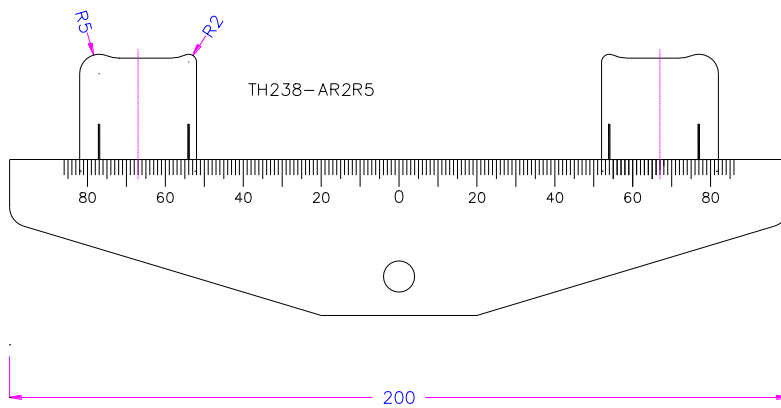
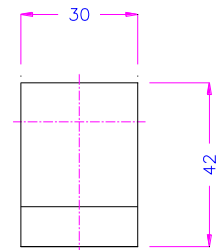
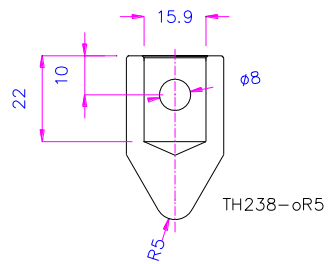











# TH238






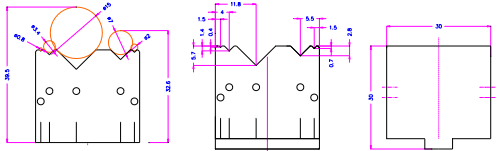

small bending fixture for universal usage


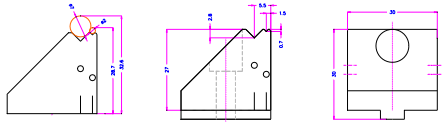
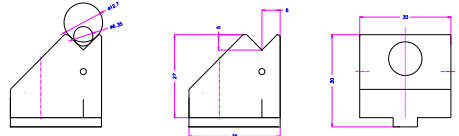

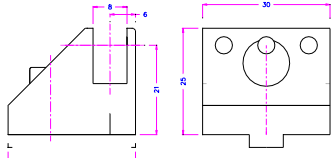


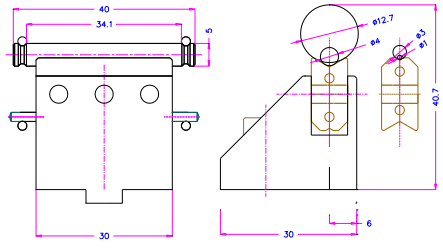
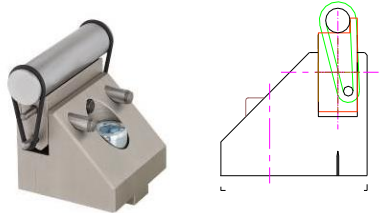
Aluminum and steel versions available  
With Adapter Af15.9 and Af20






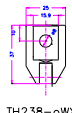

Item number	Description	Picture
TH238-AR-OR	<p>Simple 3-point bending fixture Bar 200 mm</p> <p>Upper part: anvil TH238-OR. R0.5, 1, 1.5, 2, 3, 3.2, 4, 5, 10 mm 0.16 kg</p> <p>Lower part: – 2 supports with double radius. TH238-AR1.5+R2.5; R2+R3; R2+R5; R3.2+R5; R4+R5 mm 0.8 kg or 2 supports with 1 radius TH238-CR0.5, 1, 1.5, 2, 2.5, 3, 3.2, 3.5, 4, 5, 10 mm</p>	
TH238-4p-AR-CR	<p>4-point bending fixture Lower parts like 3P version</p> <p>Upper supports available with Radius 0.5, R1, R1.5, R2, R2.5, R3, R3.2, R3.5, R4, R5, R10, R15</p>	
TH238+Cx+oX +D8x30	<p>3-point bending fixture with exchangeable rollers Bar 200 mm</p> <p>Upper support Type oX Lower supports Type cX</p>	
TH238-4p+AX+CX+8x30 +5x30	<p>4-point bending fixture with exchangeable rollers Bars 200 mm</p> <p>Upper support Type CX Lower supports Type AX</p>	
TH238-4p+CW+CWx+D5 x30	<p>4-point bending fixture with exchangeable rollers Bars 200 mm</p> <p>Upper support Type CWX movable Lower supports Type CWX movable</p>	

<p>TH238-...-WDF-CWN5</p>	<p>Upper part of a 4-P fixture With and extra articulation adapter WDF</p>	
<p>TH238+AX+D6x100</p>	<p>4-point bending fixture with exchangeable rollers Bars 200 mm  Rollers: Ø 6 x 100 mm</p>	
<p>TH238-300-B300 + CW +CWX +D4x30</p>	<p>4-point bending fixture with exchangeable rollers Bars 300 mm  Movable carrier  Rollers: Ø 4 mm  Upper/lower part: 3.0 kg each</p>	
<p>TH238+CW+CWE R2-VS6</p>	<p>Moveable support 6 mm moved from center Radius 2 mm</p>	

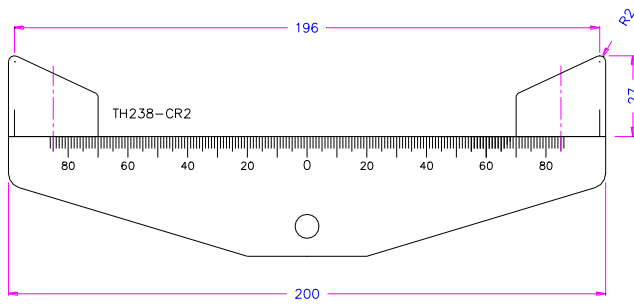
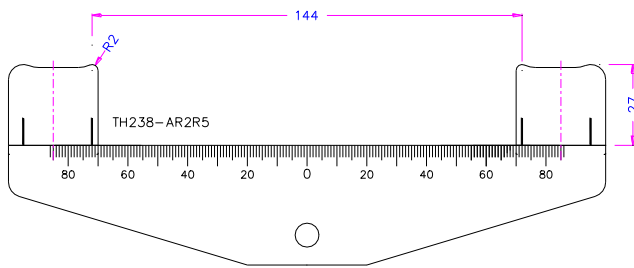
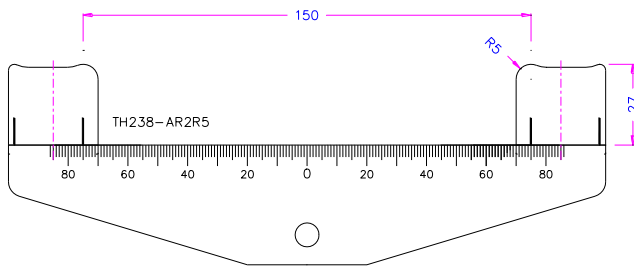
Item number	Description	Qt.	Picture
	<i>Bars</i>		
TH238-B200	Lower bar, aluminum, anodized, 200 mm ,5kN Possible span distances 0-144 mm, 0-150 mm, 0-196 mm. Weight 0.4 kg.	1x	
TH238-B200-St	Lower bar, steel chromes, 200 mm 20kN Possible span distances 0-144 mm, 0-150 mm, 0-196 mm. Weight 1.2 kg.	1x	
TH238-B300-St	Lower bar steel, 300 mm, 2.6 kg	1x	
TH238-B350-St	Lower bar steel, 350 mm, 2.8 kg	1x	
TH238-B400-St	Lower bar steel, 400 mm, 3.2 kg	1x	
TH238-B430-St	Lower bar steel, 430 mm, 5.2 kg	1x	
	<i>Supports lower anvils</i>		
TH238-AR	Supports with 2 milled radii Hardened steel  Available R1.5+R2.5; R2+R3; R2+R5; R3.2+R5; R4+R5 mm  0.2 kg	2x	
TH238-CR	Supports with 1 milled radius  R: 0.5; 1; 1.5; 2; 2.5; 3.2; 5 mm  0.1 - 0.8 kg	2x	
TH238-CR..H..	Special supports with 1 milled radius  E.g. radius 1 mm, height 130 mm	2x	
	<i>Supports for rollers</i>		
TH238-AX	Supports for exchangeable rollers, 5 pins Rollers: Ø 1 to 15 mm 0.18 kg	2x	  TH238-AX
TH238-AX-H50	But extended Height (no stock part )	2x	

<p>TH238-CX</p>	<p>Support for exchangeable rollers, 2 pins Rollers: Ø 1 to 7 mm 0.2 kg</p> 	<p>2x</p>	 <p>TH238-CX</p>
<p>TH238-CX127</p>	<p>Support for roller 1 pin 6-13 mm Ø</p>	<p>2x</p>	 <p>TH238-CX127</p>
<p>TH238-CW</p>	<p>Fixable supports for articulating carrier 0.12 kg</p> 	<p>2x</p>	 <p>TH238-CWGT</p>
<p>TH238-CWEX</p>	<p>Movable carrier for exchangeable roller with pins and O-rings to fix the roller 0.003 kg</p>	<p>3x 4x</p>	
<p>TH238-CWEX+D3x30</p>	<p>Articulating support with exchangeable roller 0.2 kg</p> 	<p>2x</p>	 <p>TH238-CW5      TH238-CWX</p>
<p>TH238-CW+CWEX+D5x30</p>	<p>Movable carrier with exchangeable roller and 2 O-rings to fix the roller Roller 5 mm Ø on a flat plane area (3 mm height in stock) 0.2 kg</p>	<p>2x</p>	

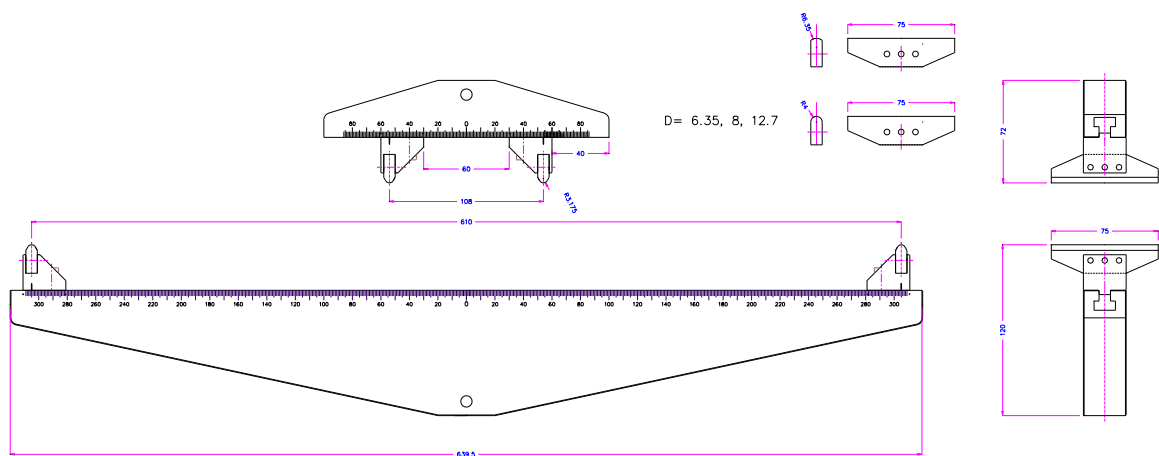
TH238-CW+CWER2x120	Special fixable movable insets Radius R2 120 mm wide (not in stock)	3x	
TH238-CW+CWER1-VS6	Movable support Radius 1 Zero span	2x	
TH238-CW+CWEM	Flat movable supports for glass	2x	
TH238-CW+CWEL5	Movable inset rolling with needle bearings Roller diameter 5mm length width 12mm	2x	
TH238-CM	Flat free rolling support for glass	2x	
TH238-D	Rollers hardened Ø 1-12.7 mm standard width 40mm D3x100 = 3 mm Ø and 100 mm length	3x	
TH238-DxL	Roller of special length + 2 O-Rings + 2 extra pins to keep O-ring 3x56; 3x105; 6x105; 10x105 mm ( for chamber stainless steel spring )	3x	

Upper anvils			
TH238-OR...	Upper part anvil with milled radius 1, 1.5; 2; 3; 4; 5; 12.5 mm 0.2 kg	1x	
TH238-OX	Upper part anvil with milled V to carry different diameters oX3 keeps 1-3.2 mm Ø oX12 keeps 4-12.7 mm Ø 0.2 kg	1x	
TH238-OW	Upper part for articulating carrier Additional parts see TH238-W 0.2 kg	1x	  TH238-OWX
TH238-OW+cWEX+D8	Upper part + Movable anvil with prism and exchangeable roller 8mm diameter 0.1 kg	1x	

Possible span distances:



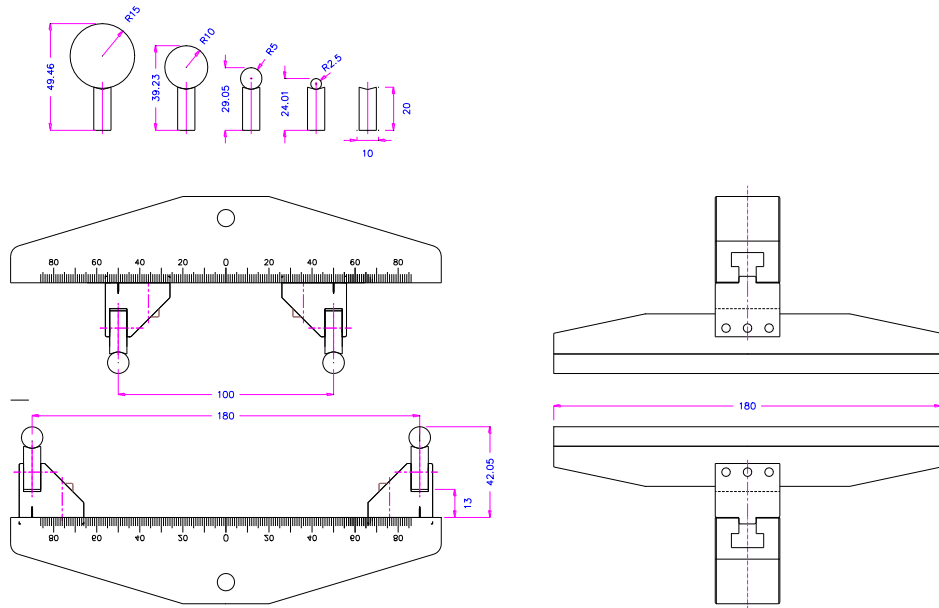
Examples:



TH238-4P-B640-B200-CWR635-8-127x75

Articulating carrier with radius 6.35 mm





TH238-4P-CWXdx180.....



TH238-B300--4P-CWR5x170



TH238-4P-CWXD8-iTH1-AfDP10s iTH1  
With extensometer for chamber use

TH238-4P-CWX15x180



TH238-CWXD4 iTH1

Holder for internal extensometer  
8 mm



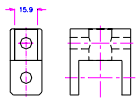
TH238-CWxD4-iTH2

Holder for external extensometer



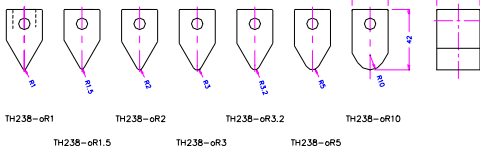
TH238-CR01

Radius 0.1 mm

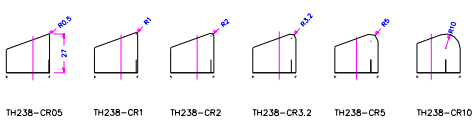


TH238-WDF-Af159

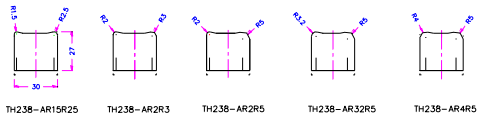
oR...



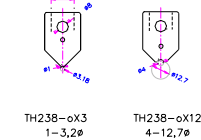
C...



A



oX



oW



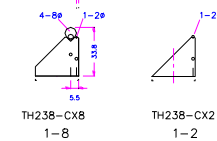
TH238-oW

oW



TH238-oW+CWEX+D2

CX

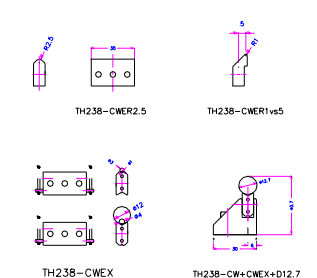


CW



TH238-CW

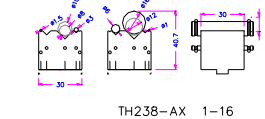
CWE



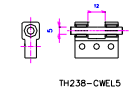
TH238-CWEX

TH238-CW+CWEX+D12.7

AX



TH238-AX 1-16



TH238-CWEL5

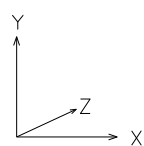


CWEM

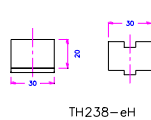
CWEM+D5

CWEN

CWEN+D5



eH



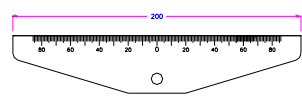
TH238-eH

D..

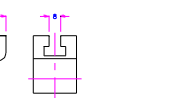


TH238-D6.35

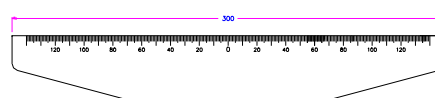
TH238-D10x100



TH238-200-Alu  
TH238-200-St

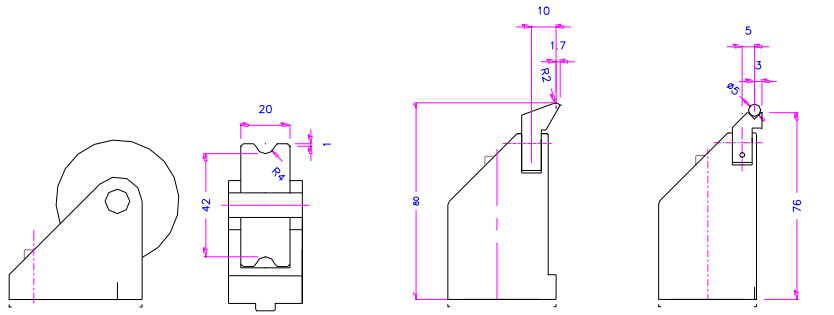


TH238-200



TH238-300

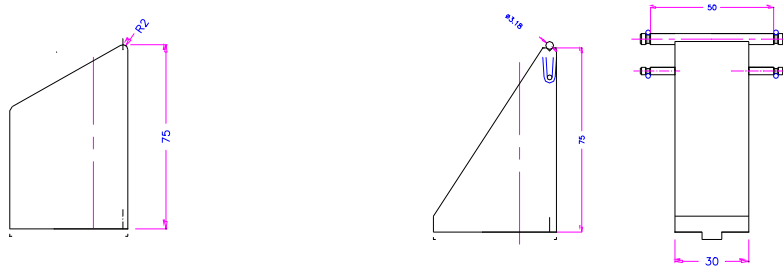
- Legende see also TH22
- o Auflager mit 3 Radien support 2 radii
  - B Balken Bo Balken oben bar Bo = upper bar
  - c Auflager mit einem Radius support single radius
  - D Röhre mit Durchmesser roller with diameter
  - E Einsatz insert
  - Gt Grundträger carrier
  - H Höhe height
  - L Rolle drehbar um Z-Achse rotatable Z-axis
  - M freie Rolle auf harter Platte free roller on a hard plate
  - N freie Rolle mit Anschlag roller with 90° stop
  - o oben top
  - R Radius gehärtet radius nitrid
  - W Wippe um X-Achse articulating X-axis
  - X tauschbar exchangeable
  - s Sonder special, not in stock



TH238-cVD42R4s

TH238-cWH80+cWER2vs10

TH238-cWH88+cWXVs5+D5



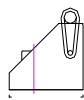
TH238-cR2H75

TH238-cXH75+D3.18x50

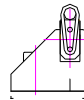
cM

cWEM

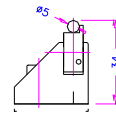
cWEN



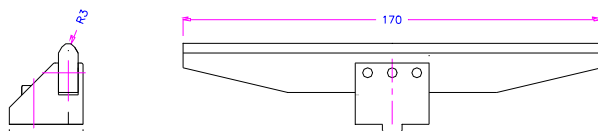
-cM



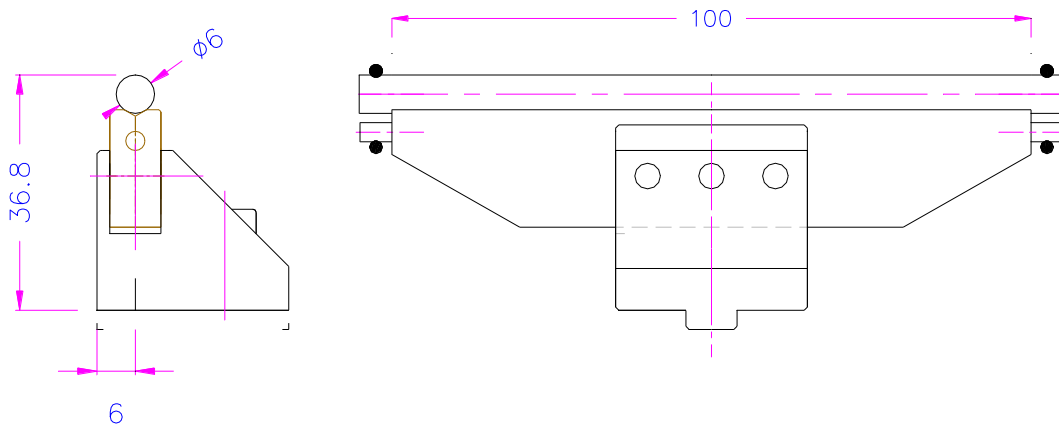
-cW+cWEM



-cW+cWEN



TH238-cW+cWER3x170

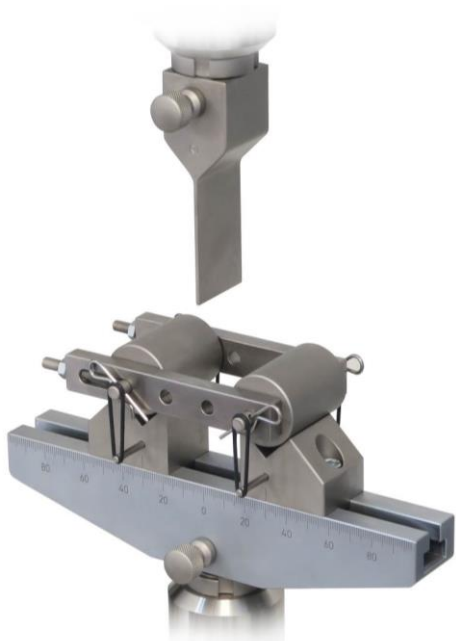


TH238-CWX6x100

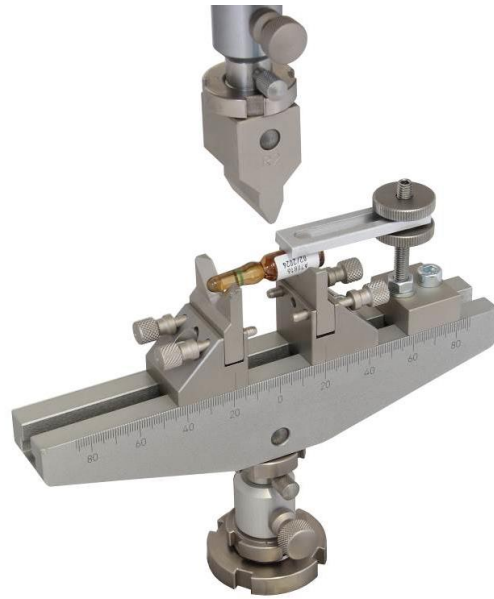
TH238-5P-200-CWNxx-Af20 + ith1

ASTM-C1161 ISO843-1 ISO14704





**TH238-3P-200-CXD30x40-Af3012-ISO7438**



**TH238-B200-OR2-CWX-ISO9187-1**



**TH238St-AR1.25R1.6-OR1.6+Gde**  
**Internal guide**



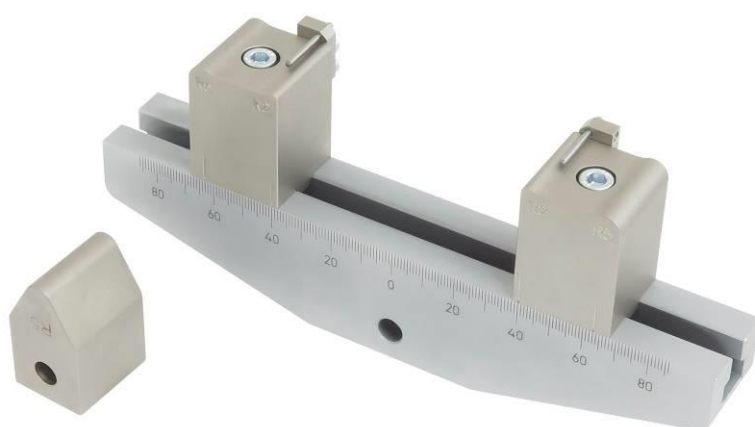
**THS884+TH238-300-cr2-or5**  
**External guide**

New special bending devices since 1.3.2016

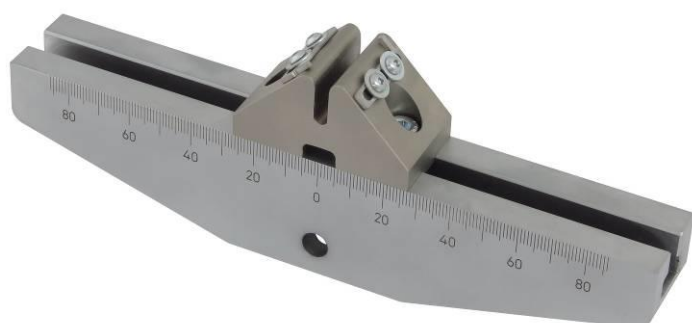
TH238-FOR32-Af150



TH238-200-ar2-H40-Af159-ans + or5-



TH238+TH42-10-R3+Ans





TH238-3P-300-  
CXD20x76



TH238-CWD4-4p-  
WDFAM16-AM317

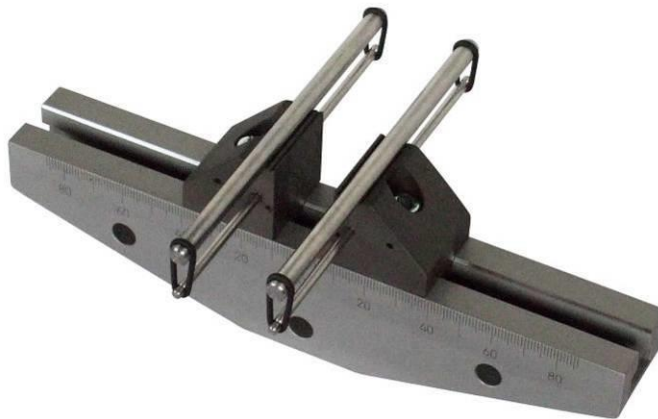




TH238-aX4.8.15-H50  
TH238-H50-AX  
Extra Height



TH238-300-  
CX10x60-H100



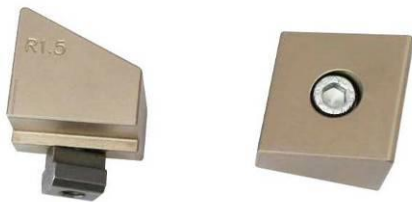
TH238-CXF5x80



TH238-CX12



TH238-CR10



TH238-cr1.5