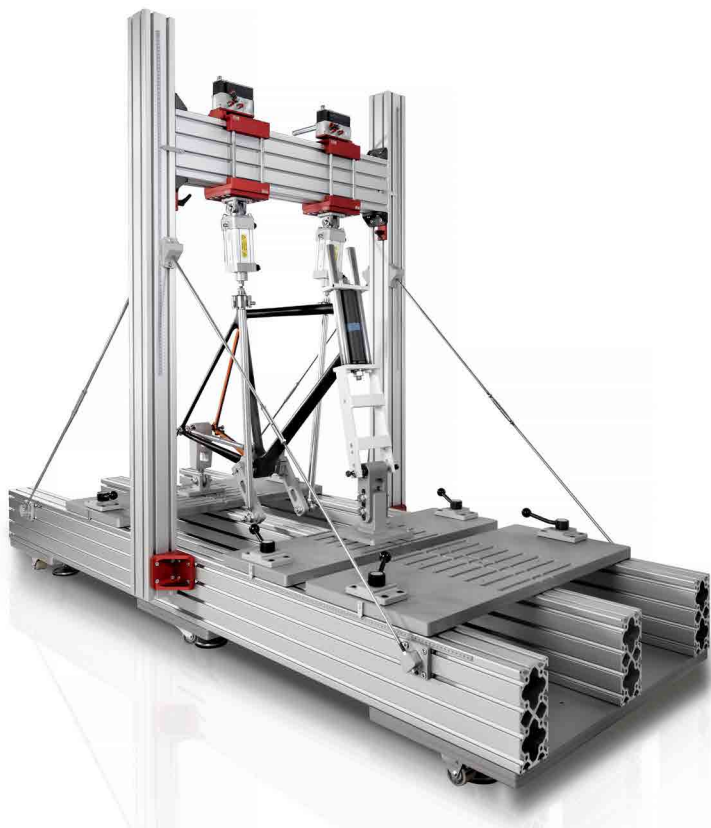


PNEUMATIC MODULAR FRAME Series BYC-100

The BYC-100 frame belongs to the family of modular pneumatic systems MF-P (Modular Frame Pneumatic), designed to perform specific tests on components in the bicycle sector. The system is produced entirely in aluminum and used to perform static and fatigue tests on bike frames and components according to ISO 4210-6 e EN 15194.



Application fields

The BYC-100 system finds its natural application in the bicycle industry.

Thanks to the wide range of clamps available, the BYC-100 system is ready for the following tests:

- Fatigue test with pedalling forces (bi-axial test);
- Fatigue test with horizontal forces;
- Fatigue test with vertical forces;
- Fatigue test on handlebar and stem assembly (bi-axial test);
- Fatigue test on front fork;
- Static brake-torque test;
- Fork for hub brake-brake mount fatigue test;

Technical specifications

The BYC-100 test bench consists of a portal structure made of aluminum profiles. The height-adjustable cross strut allows the two actuators to be positioned in the desired position for testing.

The base is equipped with three sliding interface plates that allow the positioning of the bike frame or components under test in a simple way and compliant with the requirements of ISO 4210-5 and EN 15194.

The test bench is equipped with wheels for convenient movement and positioning within the test laboratory.

On request, the protection structure in polycarbonate panels is available and allow perfect vision during the testing.

The front and rear doors with double-leaf opening allow effective access to the work area and proper handlebars positioning. The openings interlocking system guarantees a complete operator safety.

The system is compatible with the K-PN series of pneumatic actuator kits and relative anchoring brackets.

Characteristics



OIL FREE

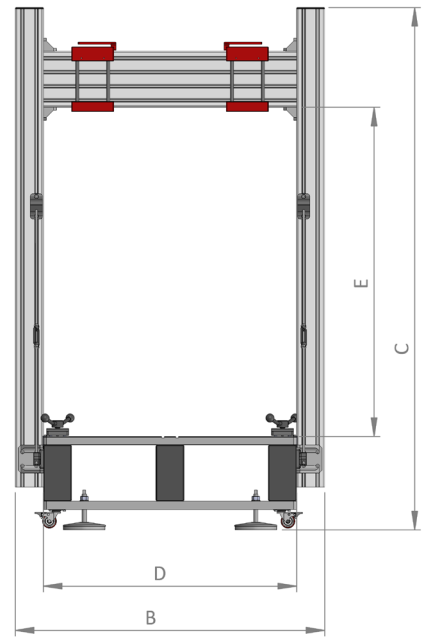
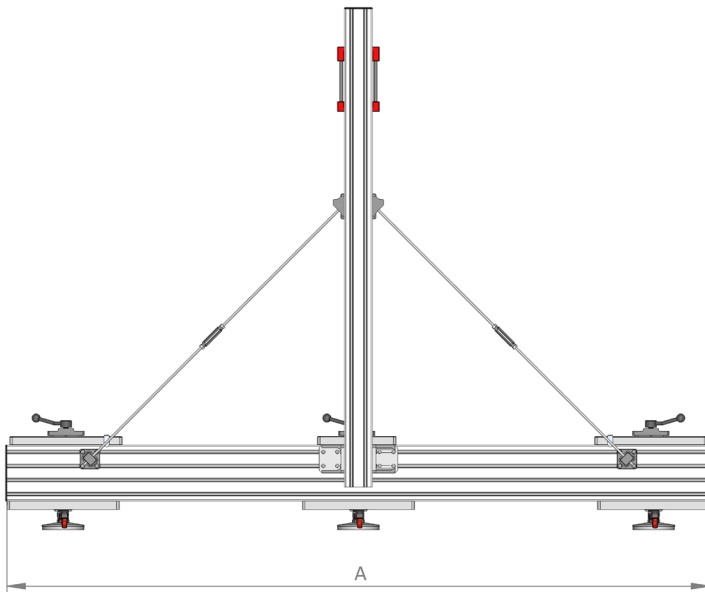


MAXIMUM FLEXIBILITY
AND CONFIGURABILITY



EASY TO USE

Dimensions Frame BYC -100



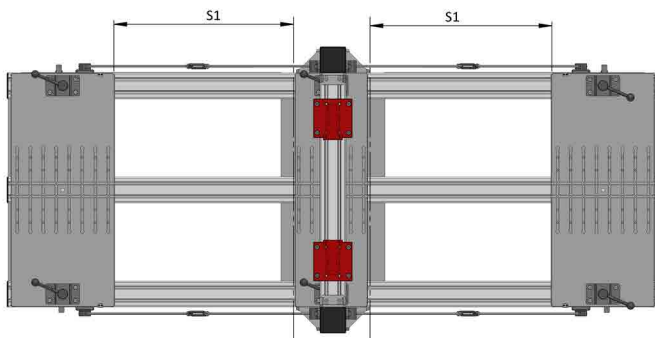
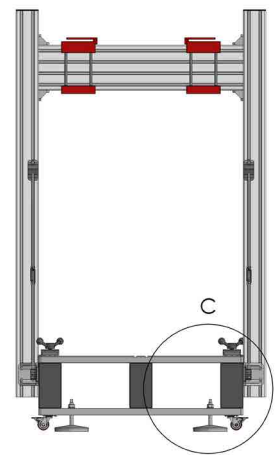
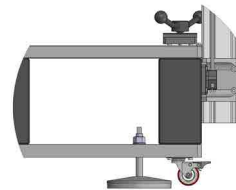
DIMENSIONS FRAME BYC-100

	A [mm]	B [mm]	C [mm]	D [mm]	E [mm]	weight [Kg]
Test bench BYC-100	2500	1100	1950	900	1300	350

Handling

The BYC-100 frame is equipped with 6 anti-vibration support feet that guarantee maximum stability in all test conditions.

To facilitate the positioning of the test bench inside the laboratories or test areas, there are three pairs of castors that come into operation by lowering the feet.



Details

The upper interface plates can slide along the upper surface of the frame, ensuring maximum flexibility and easy clamping of the components under test.

The permitted stroke (S1) is 600 mm.

Configurations and accessory kits

Fatigue test with pedalling forces

Kit code	Description	Standard
A-BYC-01	Accessory kit consisting of: front fork support, central movement support, jointed support for rear fork.	ISO 4210-6 part: 4.3 EN 15194 part: 4.3.7.4

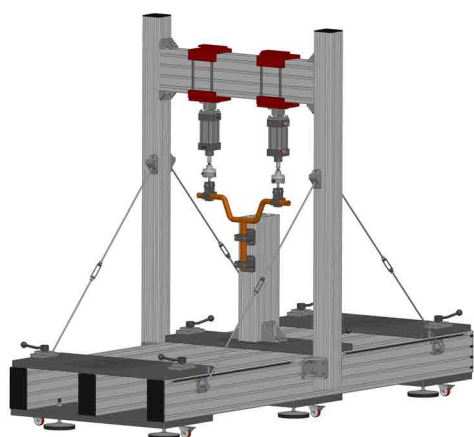


Fatigue test with horizontal forces

Kit code	Description	Standard
A-BYC-02	Accessory kit consisting of: rear fork support, vertical support for actuator with coupling, linear rail carriage for front fork connection.	ISO 4210-6 part: 4.4 EN 15194 part: 4.3.7.5

Fatigue test with vertical forces

Kit code	Description	Standard
A-BYC-03	Accessory kit consisting of: rear fork support, linear rail carriage for front fork connection, support with couplings for vertical load applying.	ISO 4210-6 part: 4.5 EN 15194 part: 4.3.7.6



Fatigue test on handlebar and stem assembly

Kit code	Description	Standard
A-BYC-04	Accessory kit consisting of: aluminum profile, support for handlebar, grips for handlebar load application complete with spherical joints.	ISO 4210-5 part: 4.9 EN 15194 part: 4.3.6.7

Related systems

The entire series of PN-MF modular pneumatic frames is compatible with all the pneumatic actuator kits and related accessories - K-PN product category (see www.litem.info/accessories).

Real Time Controller RTC 9002



Real Time Controller RTC 9002 bi-axial (2 independent or simultaneous axes) complete with PC, monitor 27", mouse and keyboard.

Includes SS 9000 Software Suite - standard version. Additional Software Tools are available (for details visit: www.litem.info/software-and-tools/)

Pneumatic Actuator Kit



Pneumatic actuator Kit complete with contactless displacement sensor, load cell, proportional servo-valve and air handling unit.

Al fine di migliorare le prestazioni tecniche del prodotto, la società si riserva di apportare variazioni senza preavviso.
In order to improve the technical performances of the product, the company reserves the right to make any change without notice.



VIDEO
TUTORIAL

DRC Srl
PRODUCTION and SALES

Via Montesicuro, 58/B - 60131 Ancona (Italy)
Tel (+39) 071 80 36 077

GENERAL INFORMATION
info@litem.info

www.litem.info